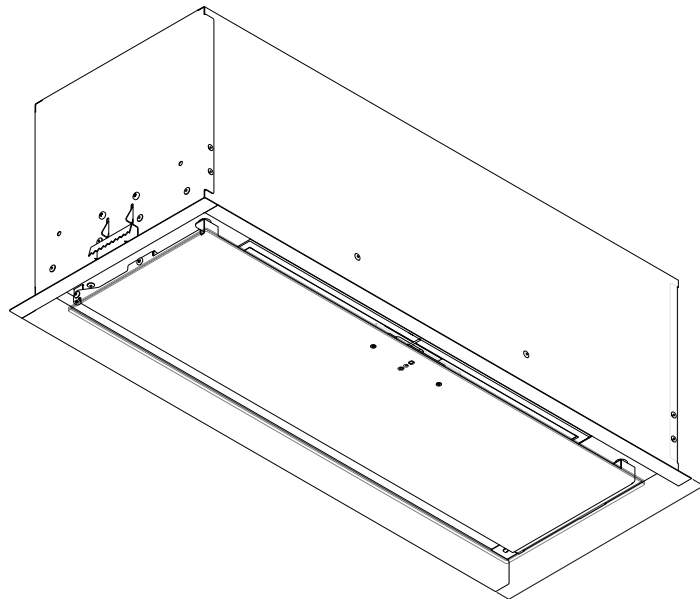
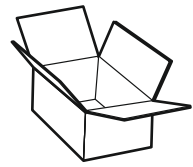


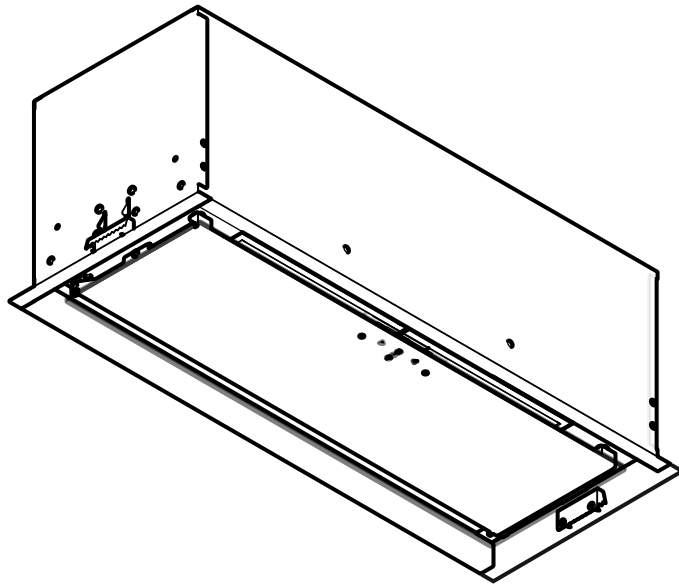
MALLOCA



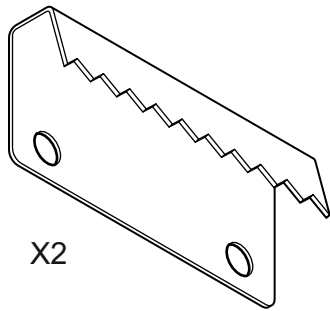
Lightline K-750 B



(A)

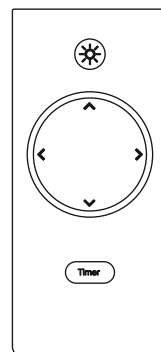


(B)

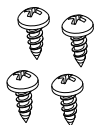


X2

(C)



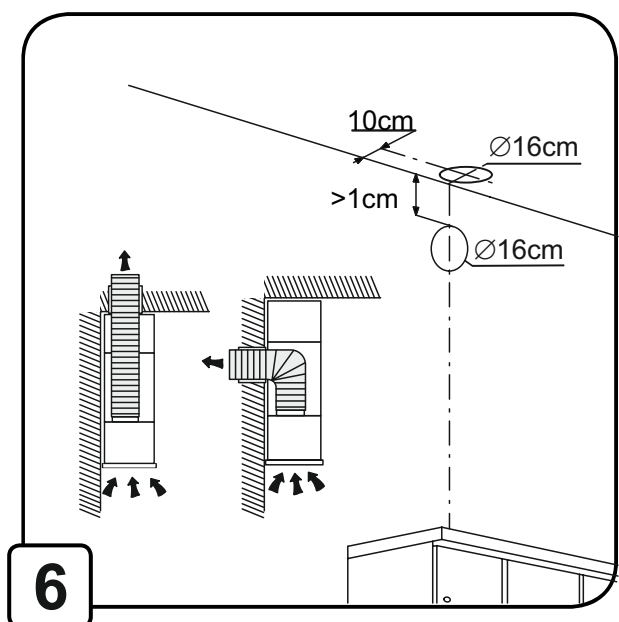
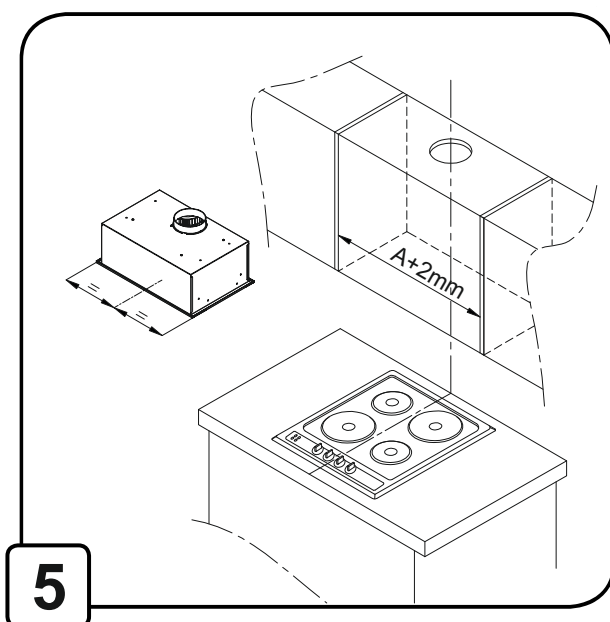
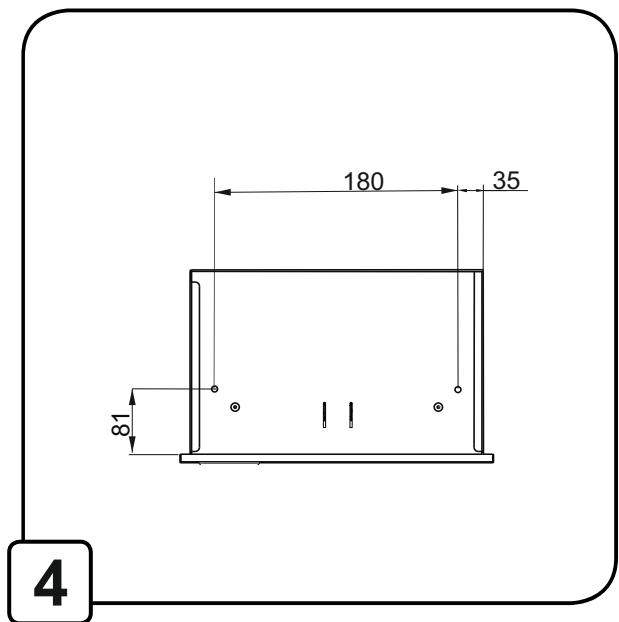
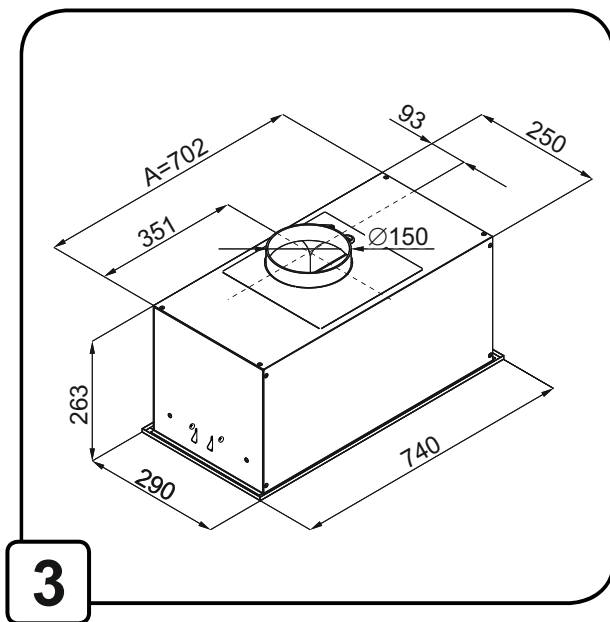
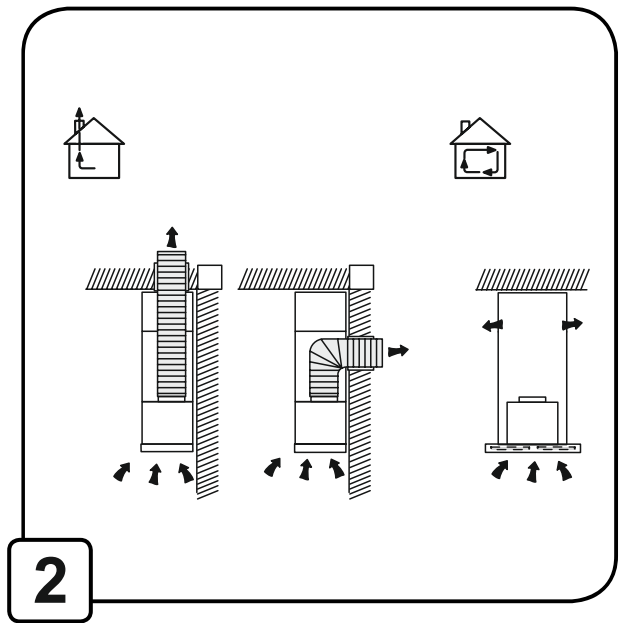
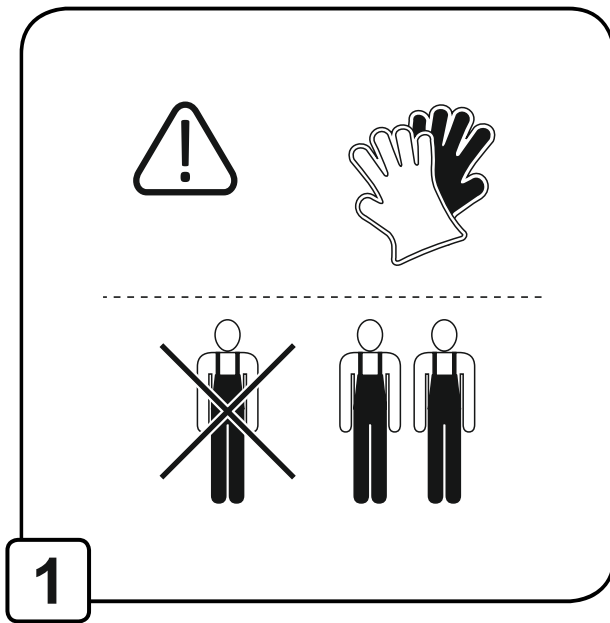
(D)

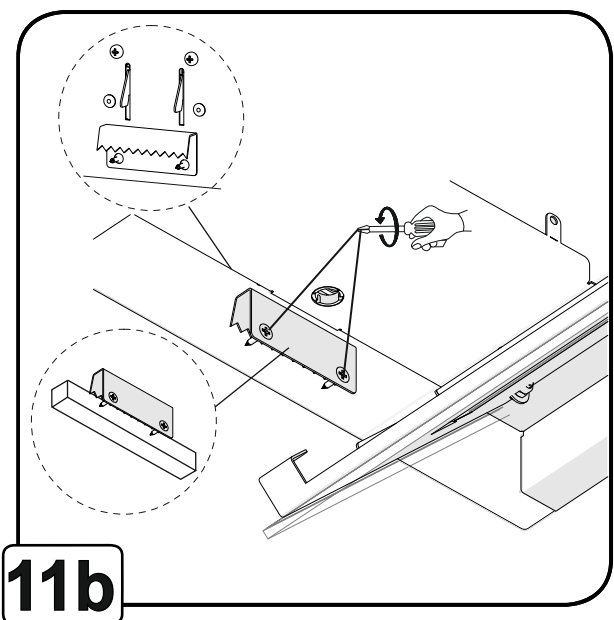
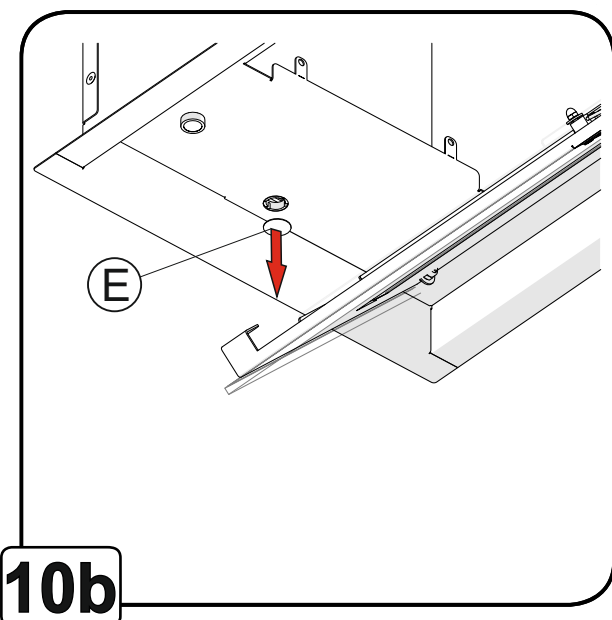
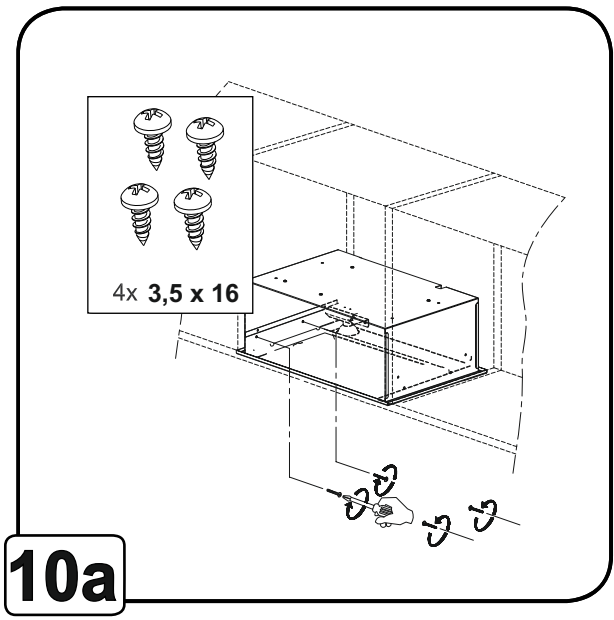
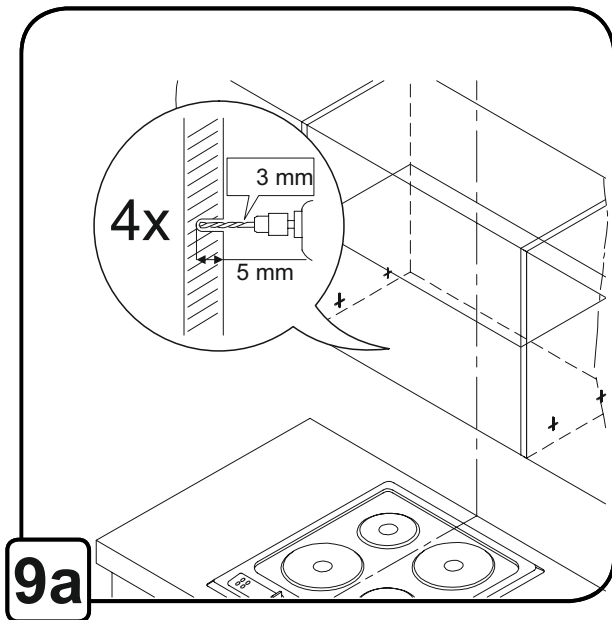
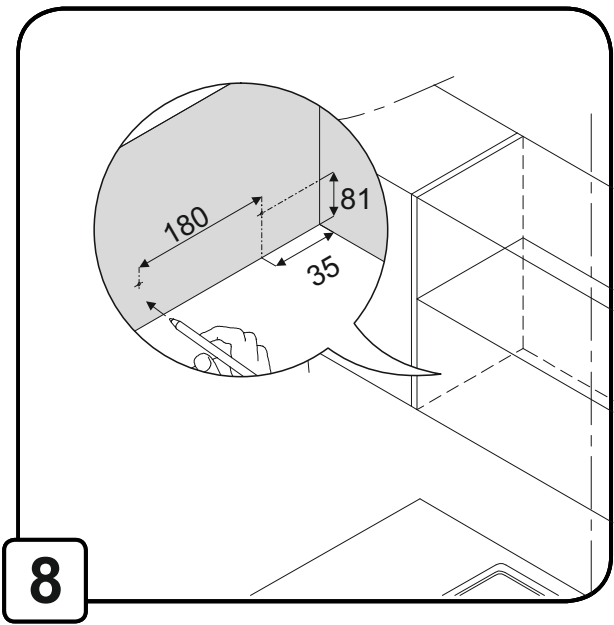
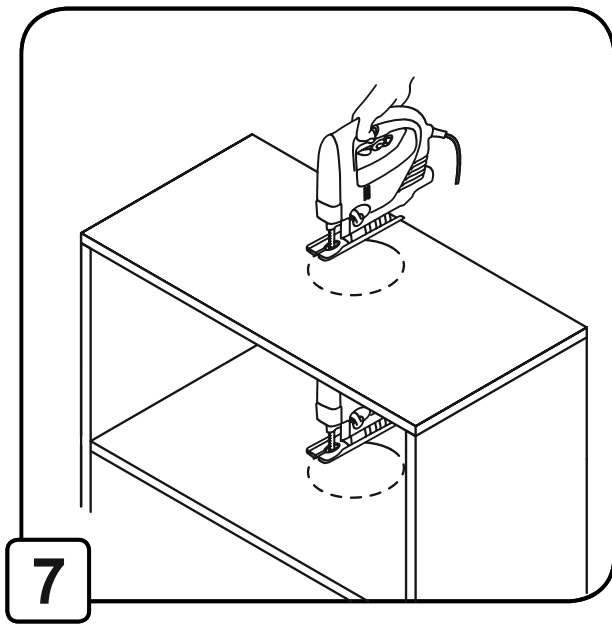


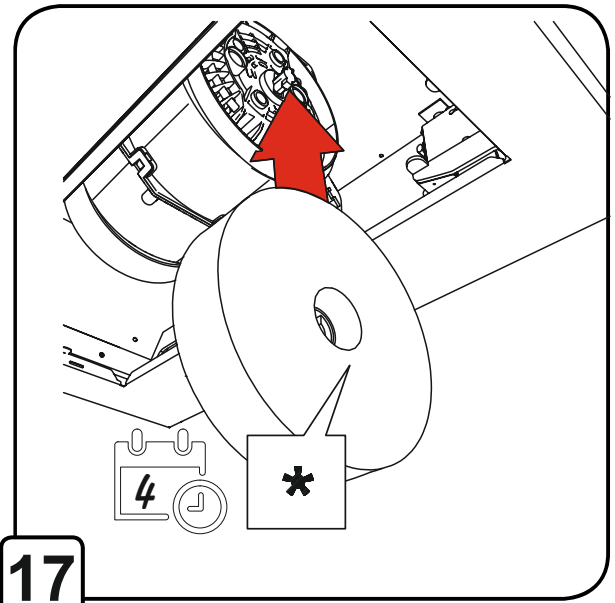
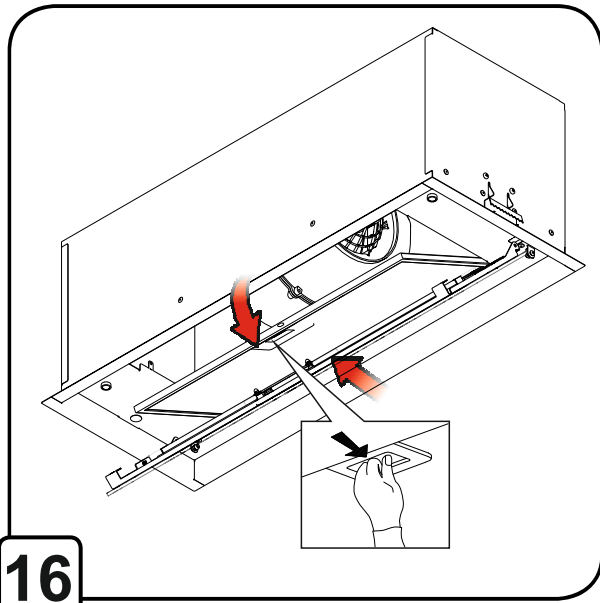
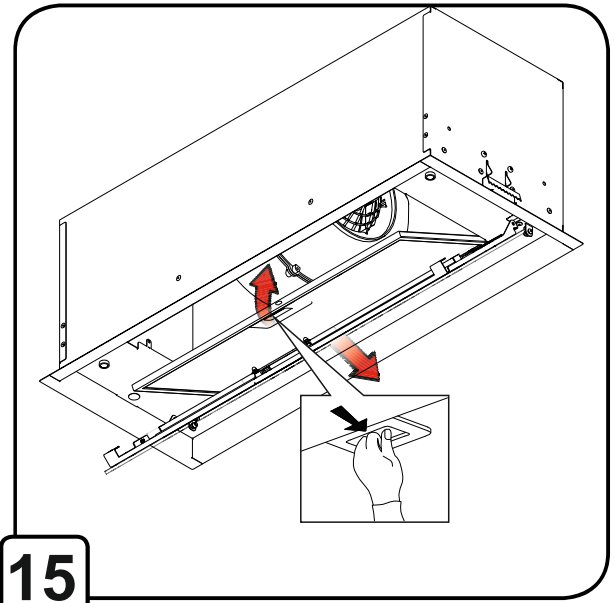
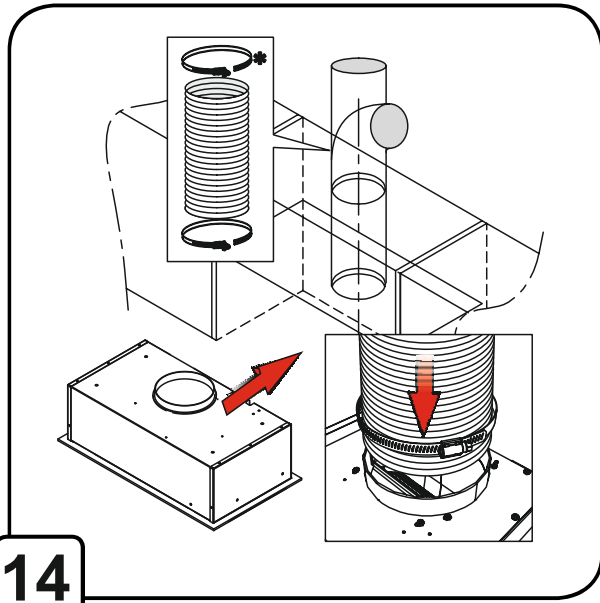
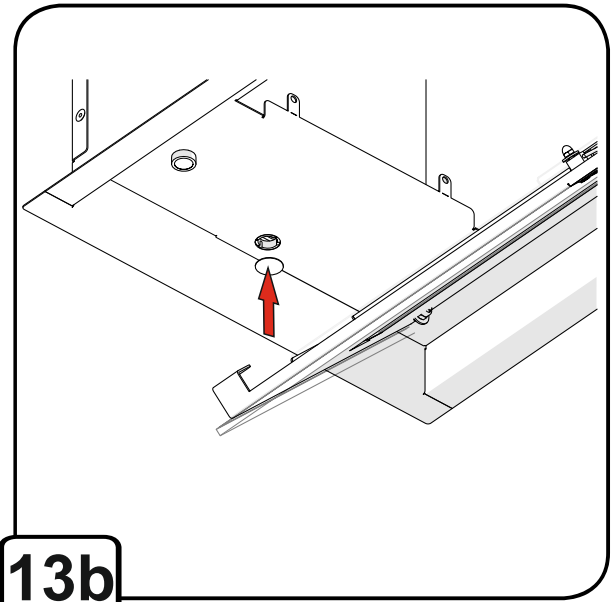
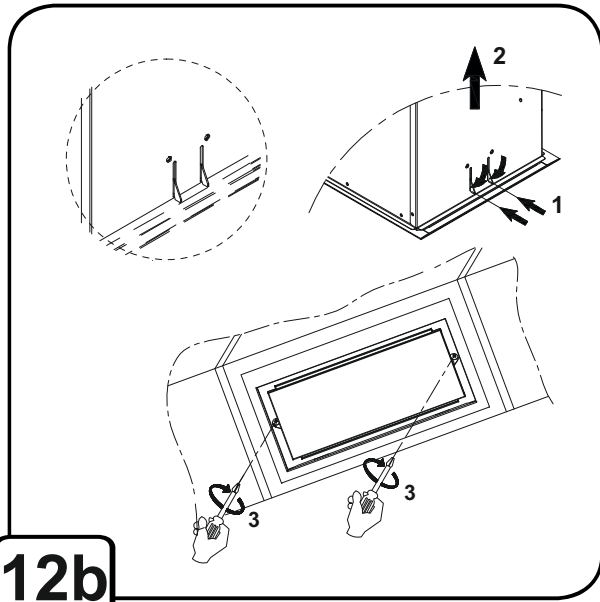
X4

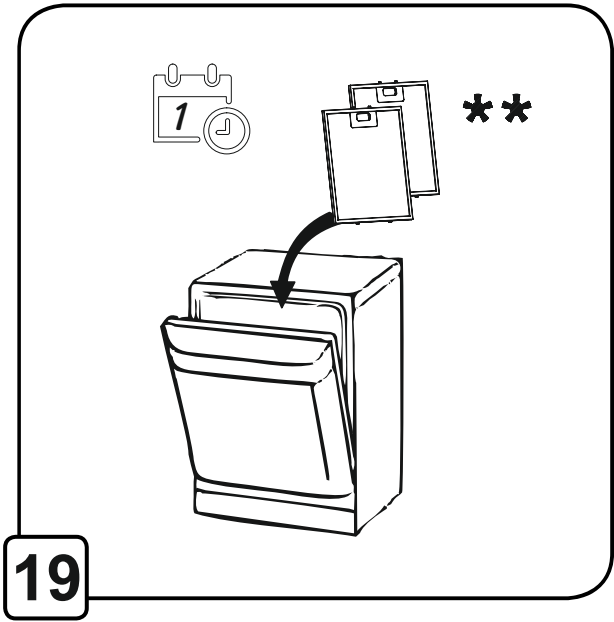
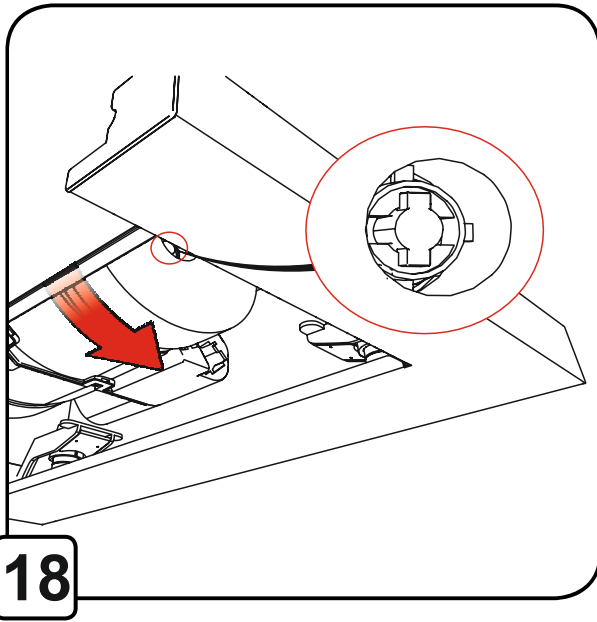
(E)











*** Note:** Elements marked with the symbol „(*)” are only included in selected models, in other cases, they should be purchased separately.

****** Remember to clean your grease filters regularly.



Dear Sirs

You have become users of the latest generation of cooker hoods. This hood was designed and manufactured specifically to meet your expectations and will certainly form part of a modern fitted kitchen. Its innovative design and use of modern production technology, ensure its high functionality and aesthetics.

Please read the following manual carefully before installing the hood. This avoids incorrect installation and operation of the hood.

We wish you satisfaction and happiness with your choice of the hood of our company.

When installing the device, follow the instructions given in this manual.

The manufacturer shall not be liable for damage resulting from installation not complying with the information contained in the manual. The hood was designed exclusively for domestic use. **The hood may vary in appearance from the hood shown in the drawings in this manual, but the recommendations for operation, maintenance and installation remain unchanged.**

! Keep the user manual so that you can refer to it at any time. In the case of selling the device or moving, ensure that the manual is included.

! Carefully read the contents of the operating manual, which provide precise information on installation, use and care of the device.

! Do not make any electrical or mechanical changes to the device or to the discharging pipes.

Note: Elements marked with the symbol „(*)” are only included in selected models, in other cases, they should be purchased separately.



Warning

Attention! Do not connect the device to the mains before installation is complete.

Before performing any cleaning or maintenance operations, disconnect the hood from the power by removing the plug from the socket or by switching off the main power switch.

Wear protective gloves for all installation and maintenance work.

This device is not intended for use by persons (including children) with limited physical, sensory or mental abilities, and lacking knowledge or experience in the use of such equipment, unless they are supervised or instructed in the use of this device by a responsible person for their safety.

Never use a hood without properly installed filters!

The hood should NEVER be used as a backrest plane unless this option has been clearly indicated. Room in which the hood is used together with other devices burning gas or other fuel should have adequate ventilation. The air drawn in should not be discharged into a duct used for the discharge of flue gases produced by gas devices or other fuels. It is strictly prohibited to prepare food using an open flame under the hood (flambéing).

The use of open flames is hazardous to the filters and poses a risk of fire, so this must not be done under any circumstances. Care should be taken during frying to avoid overheating of the oil and subsequent self-ignition. Accessible parts can become very hot if used together with appliances designed for cooking. As far as the necessary technical and security measures regarding the regulations issued by the competent local authorities must be strictly observed.

The hood should be cleaned frequently, both inside and out (**AT LEAST ONCE A MONTH**), observing the maintenance instructions given in this manual).


Failure to comply with the rules for cleaning the hood and replacing and cleaning the filters causes a fire hazard.

To avoid electric shock, do not use or leave the hood without properly installed bulbs. The manufacturer shall not be held liable for any damages or fires caused by the device and resulting from non-compliance with the instructions given in this manual.

This device is marked in accordance with EU Directive 2012/19/EU on waste electrical and electronic equipment (WEEE).

By ensuring that your device is disposed of correctly, you will contribute to reducing the risk of the product having a negative impact on the environment and human health, which could occur if the device is disposed of incorrectly.



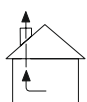
The symbol  on the device or packaging indicates that this product cannot be treated as other municipal waste. Return it to the appropriate collection and recycling centre for electrical and electronic equipment. Proper disposal and scrapping help to eliminate the adverse effects of scrapped equipment on the environment and health. For details of how this appliance can be recycled, please contact your local town hall, town cleaning service or the shop where you purchased the product.

Operation

The device can be used as an extractor (vapour extraction to the outside) or an absorber (vapours are filtered and discharged back into the room). Hood models that do not have an extractor fan, function only as an extractor and must be connected to the extraction device (not included).

Connection instructions are supplied with the external extractor unit.

When the air in the kitchen area is particularly polluted, use the hood set at the highest speed. It is recommended that the hood is put into operation 5 minutes before cooking any food and leaving it on for about 15 minutes after the end of cooking.



Hood operating as an extractor

Vapours are discharged to the outside through a discharge pipe attached to the connecting flange. The diameter of the discharge pipe must be equal to the diameter of the connecting flange.

Attention! The discharge pipe is not supplied with the unit and must be purchased.

In the horizontal part, the pipe must have a slight upward inclination (about 10°) so as to facilitate the flow of air to the outside. If the hood is fitted with carbon filters, these must be removed.

Connect the hood to the ventilation duct with a discharge pipe of a diameter corresponding to the size of the hood outlet (connecting flange).

The use of smaller cross-section hoses results in a reduction in suction capacity and a drastic increase in the noise level of the hood. The manufacturer therefore takes no responsibility for the suction power or sound level of the installed product.

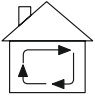
! Use the shortest possible pipe.

! Use a pipe with as few bends as possible (maximum bend angle: 90°).

! Avoid radical changes to the cross-section of the pipe.

! Use a pipe with the smoothest possible inner surface.

! The pipe material must comply with the applicable standards.



Hood operating as an absorber

A charcoal filter must be installed to use the hood in this version. It can be purchased from the seller. The air drawn in is cleaned of grease and odours before it is returned into the room

Hood installation

Minimum distance between the surface on which vessels are placed on the heating device and the lowest part of the cooker hood shall be not less than 45 cm in the case of electric cookers and not less than 65 cm for gas or mixed type cookers. If a greater distance is specified in the instructions for installing the gas cooker, adjust to such indications.



Electrical connection

The mains voltage must correspond to the voltage indicated on the plate on the internal part of the hood. If the hood is equipped with a plug, it must be plugged into a compliant outlet in accordance with applicable standards and placed in an easily accessible place, even after the completion of the installation. If the hood is not equipped with a plug (direct connection to the mains) or the plug is not located in an easily accessible place, even after installation has been completed, use a standardised two-pole switch to allow complete isolation from the mains supply under category III overcurrent conditions, in accordance with the installation rules.

Attention! Before reconnecting the hood circuit to the power supply and checking for correctness of its operation, you should always make sure that the power cord is correctly installed.

The hood is equipped with a special power cable.

If this cable is damaged, it must be replaced.

Maintenance

Attention! Before performing any cleaning or maintenance operations, disconnect the hood from the power supply by removing the plug from the socket or turning off the main power supply.

Cleaning the hood

The hood should be cleaned frequently inside as well as outside (at least with the same frequency, with which the grease filters are cleaned) using a cloth moistened with mild agents. Abrasives should not be used.

DO NOT USE ALCOHOL!

Note: Failure to comply with the regulations for cleaning the device and changing filters causes a fire hazard. It is therefore advisable to follow the advice given. The manufacturer assumes no responsibility for possible engine damage or fires resulting from noncompliance with the maintenance rules and the aforementioned instructions.

Grease filter

Retains fat particles from cooking. It must be cleaned at least once a month (or when the filter contamination indicator – if Your model of hood has an indicator - it tells you when it needs to be replaced), by means of a nonaggressive cleaning agent, either manually or in the dishwasher at low temperature and on a short washing cycle. When washing in the dishwasher, the metal grease filter may discolour, but it will not change its characteristic filtering features. To remove the grease filter, pull the spring-loaded handle.

Long-life filter

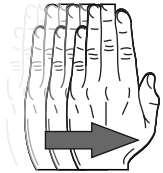
The filter should be cleaned regularly. This procedure is recommended every two months. It involves washing the filter in hot water with detergent or in the dishwasher (full programme 65°C). After washing, DO NOT squeeze water out of the filter - this may result in damage to the filter. To dry and reactivate the filter, place it in the oven set at 70°C for 15-20 minutes. The filter should be replaced once every 2 years or when mechanical damage is visible. Long-life-Filter (*) (can be purchased from your dealer). The use of such a filter depends on the model.

Lighting

If the lights do not work, first check that the lights have been properly installed. If the lighting still does not work after this check, please contact the service center.

Gestures and description of remote control functions

Innovative gesture control system - allows full touchless control of the device with just a hand movement. The cooker hood is extremely intuitive and works according to the 3 gestures, so that your extractor hood fulfills its function.

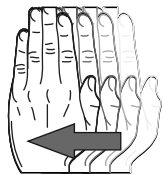


To switch on the extractor hood, move your hand horizontally from left to right about 3-5 cm below the sensor. In this way, the power level changes to a higher gear (2). The current power level is indicated by the corresponding LED color displayed on the control panel.

Power level 1: LED lights up green
Power level 2: The LED lights up blue
Power level 3: The LED lights up pink
Power level 4 / Boost: LED lights up red

On/Off Motor:

To switch off the hood or change the speed mode to a lower one, pull the hand from the right side to the left (1). Press and hold (1) for 2 seconds to turn off the engine. Press and hold (2) for 2 seconds to turn on 4th gear.



Boost:

Power level 4 is a boost function, which means that after 5min of operation, the hood automatically reverts to power level 3

LED On/Off:

To switch the lighting on or off hold down your hand for approx. 2 seconds or press the button (3) on the remote control.

Dynamic Light:

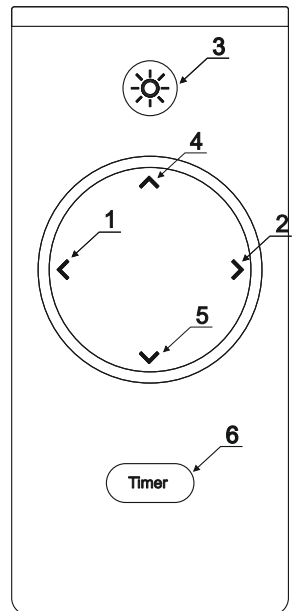
To adjust the light temperature (warm/cold), hold the Button (4) or (5) on the remote control pressed.



Light dimming:

To adjust the light intensity, press and hold down button (3) on the remote control for approx. 2-3 sec. The light dimming can also be adjusted by pressing buttons (4) and (5). Three levels of light intensity are available.

Timer: To use this function, select a power level (button 1 and 2), and then press the Timer button (6). The duration of the timer is 10 minutes. The function is indicated by a blinking LED.



Radio remote control operation:

The radio remote control pairing mode is activated automatically after a power reset and is active for 60 seconds but is not signaled in any way. During this time, press any key on the remote control. Pressing the key will connect the cooker hood with the radio remote control. (If you need a new radio remote control, you will need to reconnect it to the hood).

Disconnect the hood from the power supply for 15 seconds. Then reconnect the power supply of the hood. Press any button on the new remote control within 60 seconds.

The hood is now linked to the new radio remote control.

MALLOCA

MALLOCA VIETNAM CO., LTD279 Nguyen Van Troi Str., Ward 10, Phu Nhuan Dist.,
Ho Chi Minh City, Vietnam

T (84.28) 3997 5893/94 | F (84.28) 3844 7102