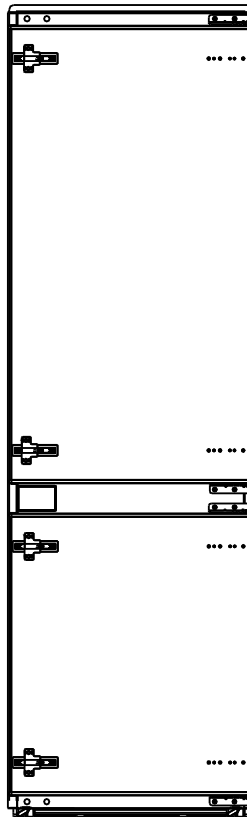




MALLOCA

User Manual

Model: MF-241BCD



Please read the Manual carefully before use.
The Manual shall be kept in good custody for
later reference

CONTENTS

1 Safety warnings	
1.1 Warning	1
1.2 Meanings of safety warning symbols	2
1.3 Electricity related warnings	2
1.4 Warnings for using	3
1.5 Warnings for placement	3-4
1.6 Warnings for energy	4
1.7 Warnings for disposal	4
2 Proper use of the refrigerator	
2.1 Placement	5
2.2 Installation in cabinet	6-7
2.3 Door Right-Left Change	8-10
2.4 Changing the Light	11
2.5 Starting to use	11
2.6 Energy saving tips	11
3 Structure and functions	
3.1 Key components	12
3.2 Functions	13
4 Maintenance and care of the refrigerator	
4.1 Overall cleaning	14
4.2 Defrosting	14
4.3 Out of operation	14
5 Trouble shooting	
5.1 Trouble shooting	15
6 Parameters	
6.1 Technical parameters	16-17

1 Safety warnings

1.1 Warning



Warning: risk of fire / flammable materials

RECOMMENDATIONS:

This appliance is intended to be used in household and similar applications such as staff kitchen areas in shops, offices and other working environments; farm houses and by clients in hotels, motels and other residential type environments; bed and breakfast type environments; catering and similar non-retail applications.
(Europe directive optional)

For EN standard: This appliance can be used by children aged from 8 years and above and persons with reduce physical sensory or mental capabilities or lack of experience and knowledge if they have been given supervision or instruction concerning use of the appliance in a safe way and understand the hazards involved. Children shall not play with the appliance. Cleaning and user maintenance shall not be made by children without supervision.
(Europe directive optional)

For IEC standard: This appliance is not intended for use by persons (including children) with reduced physical, sensory or mental capabilities, or lack of experience and knowledge, unless they have been given supervision or instruction concerning use of the appliance by a person responsible for their safety.)

Children should be supervised to ensure that they do not play with the appliance.

If the supply cord is damaged, it must be replaced by the manufacturer, its service agent or similarly qualified persons in order to avoid a hazard.

Do not store explosive substances such as aerosol cans with a flammable propellant in this appliance.

The appliance has to be unplugged after use and before carrying out user maintenance on the appliance.

WARNING: Risk of fire / flammable materials.

WARNING: Keep ventilation openings, in the appliance enclosure or in the built-in structure, clear of obstruction.

WARNING: Do not use mechanical devices or other means to accelerate the defrosting process, other than those recommended by the manufacturer.

WARNING: Do not damage the refrigerant circuit.

WARNING: Do not use electrical appliances inside the food storage compartments of the appliance, unless they are of the type recommended by the manufacturer.

WARNING: Please abandon the refrigerator according to local regulators for it use flammable blowing gas and refrigerant.

Do not use extension cords or ungrounded (two prong) adapters

DANGER: Risk of child entrapment. Before you throw away your old refrigerator or freezer:

–Take off the doors




–Leave the shelves in place so that children may not easily climb inside

The refrigerator must be disconnected from the source of electrical supply before attempting the installation of accessory

Refrigerant and cyclopentane foaming material used for the refrigerator are flammable.

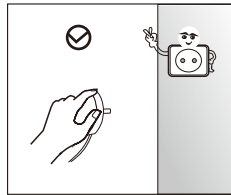
Therefore, when the refrigerator is scraped, it shall be kept away from any fire source and be recovered by a special recovering company with corresponding qualification other than be disposed by combustion, so as to prevent damage to the environment or any other harm.

1.2 Meaning of safety warning symbols

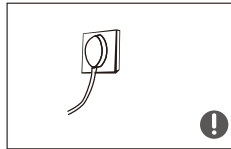
	This is a prohibition symbol. Any non-compliance with instructions marked with this symbol may result in damage to the product or endanger the personal safety of the user.
	This is a warning symbol. It is required to operate in strict observance of instructions marked with this symbol; or otherwise damage to the product or personal injury may be caused.
	This is a cautioning symbol. Instructions marked with this symbol require special caution. Insufficient caution may result in slight or moderate injury, or damage to the product.

This manual contains lots of important safety information which shall be observed by the users.

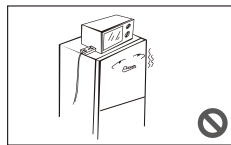
1.3 Electricity related warnings



- Do not pull the power cord when pulling the power plug of the refrigerator. Please firmly grasp the plug and pull out it from the socket directly.
- To ensure safe use, do not damage the power cord or use the power cord when it is damaged or worn.

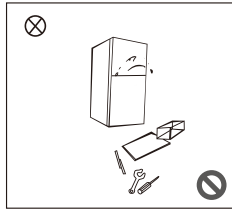


- Please use a dedicated power socket and the power socket shall not be shared with other electrical appliances. The power plug should be firmly contacted with the socket or else fires might be caused.
- Please ensure that the grounding electrode of the power socket is equipped with a reliable grounding line.

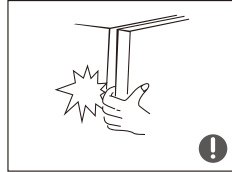


- Do not use electrical appliances on the top of the appliance, unless they are of the type recommended by the manufacturer.

1.4 Warnings for using



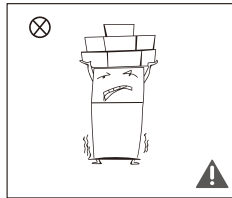
- Do not arbitrarily disassemble or reconstruct the refrigerator, nor damage the refrigerant circuit; maintenance of the appliance must be conducted by a specialist
- Damaged power cord must be replaced by the manufacturer, its maintenance department or related professionals in order to avoid danger.



- The gaps between refrigerator doors and between doors and refrigerator body are small, be noted not to put your hand in these areas to prevent from squeezing the finger. Please be gentle when close the refrigerator door to avoid falling articles.
- Do not pick foods or containers with wet hands in the freezing chamber when the refrigerator is running, especially metal containers in order to avoid frostbite.



- Do not allow any child to get into or climb the refrigerator; otherwise suffocation or falling injury of the child may be caused.

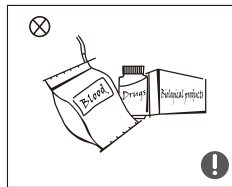


- Do not place heavy objects on the top of the refrigerator considering that objectives may fall when close or open the door, and accidental injuries might be caused.
- Please pull out the plug in case of power failure or cleaning. Do not connect the freezer to power supply within five minutes to prevent damages to the compressor due to successive starts.

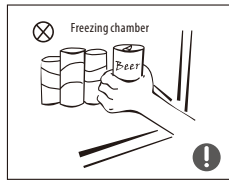
1.5 Warnings for placement



- Do not put flammable, explosive, volatile and highly corrosive items in the refrigerator to prevent damages to the product or fire accidents.
- Do not place flammable items near the refrigerator to avoid fires.



- The refrigerator is intended for household use, such as storage of foods; it shall not be used for other purposes, such as storage of blood, drugs or biological products, etc.



- Do not store beer, beverage or other fluid contained in bottles or enclosed containers in the freezing chamber of the refrigerator; otherwise the bottles or enclosed containers may crack due to freezing to cause damages.

1.6 Warnings for energy

- 1) Refrigerating appliances might not operate consistently (possibility of defrosting of contents or temperature becoming too warm in the frozen food compartment) when sited for an extended period of time below the cold end of the range of temperatures for which the refrigerating appliance is designed.
- 2) The fact that effervescent drinks should not be stored in food freezer compartments or cabinets or in low-temperature compartments or cabinets, and that some products such as water ices should not be consumed too cold;
- 3) The need to not exceed the storage time(s) recommended by the food manufacturers for any kind of food and particularly for commercially quick-frozen food in food-freezer and frozen-food storage compartments or cabinets;
- 4) The precautions necessary to prevent an undue rise in the temperature of the frozen food while defrosting the refrigerating appliance, such as wrapping the frozen food in several layers of newspaper.
- 5) The fact that a rise in temperature of the frozen food during manual defrosting, maintenance or cleaning could shorten the storage life.
- 6) The necessity that, for doors or lids fitted with locks and keys, the keys be kept out of the reach of children and not in the vicinity of the refrigerating appliance, in order to prevent children from being locked inside

1.7 Warnings for disposal

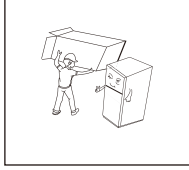
- Refrigerant and cyclopentane foaming material used for the refrigerator are flammable. Therefore, when the refrigerator is scrapped, it shall be kept away from any fire source and be recovered by a special recovering company with corresponding qualification other than be disposed by combustion, so as to prevent damage to the environment or any other harm.
- ! When the refrigerator is scrapped, disassemble the doors, and remove gasket of door and shelves; put the doors and shelves in a proper place, so as to prevent trapping of any child.



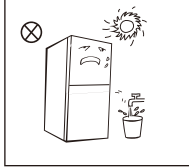
Correct Disposal of this product:
This marking indicates that this product should not be disposed with other household wastes throughout the EU. To prevent possible harm to the environment or human health from uncontrolled waste disposal, recycle it responsibly to promote the sustainable reuse of material resources. To return your used device, please use the return and collection systems or contact the retailer where the product was purchased. They can take this product for environmental safe recycling.

2 Proper use of refrigerators

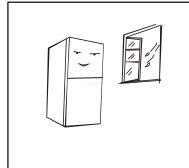
2.1 Placement



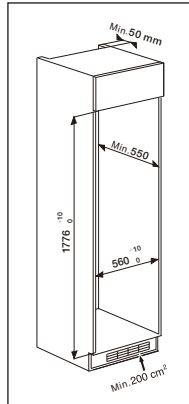
- Before use, remove all packing materials, including bottom cushions, foam pads and tapes inside of the refrigerator; tear off the protective film on the doors and the refrigerator body.



- Keep away from heat and avoid direct sunlight. Do not place the freezer in moist or watery places to prevent rust or reduction of insulating effect.
- Do not spray or wash the refrigerator; do not put the refrigerator in moist places easy to be splashed with water so as not to affect the electrical insulation properties of the refrigerator.



- The refrigerator is placed in a well-ventilated indoor place; the ground shall be flat, and sturdy.

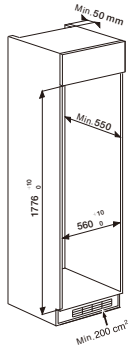


- Outer cabinet dimensions, please refer to shown as the left picture

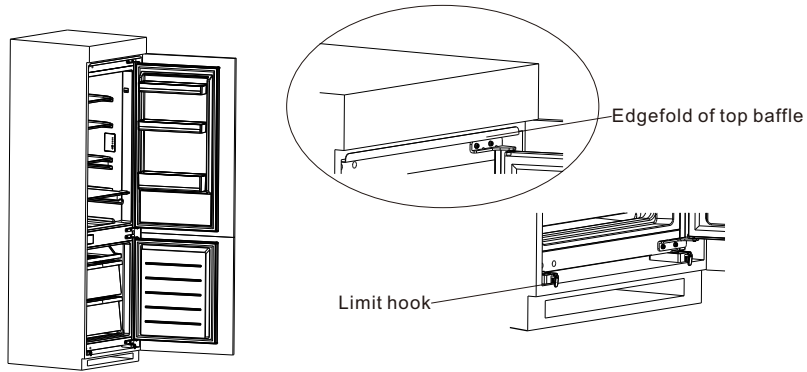
- ⚠ **Precautions before installation:**
Information in the Instruction Manual is only for reference. The physical product may differ. Before installation and adjusting of accessories, it shall be ensured that the refrigerator is disconnected from power.

2.2 Installation in cabinet

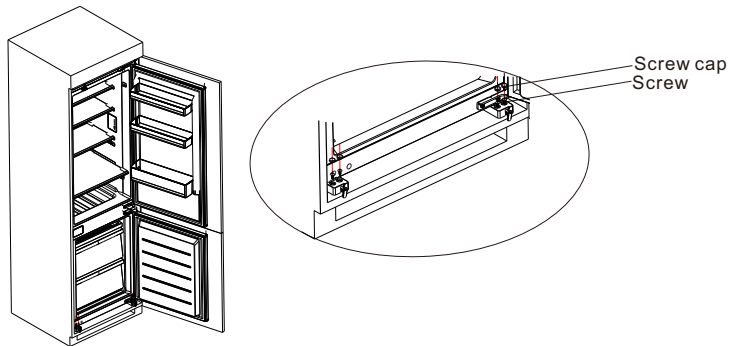
- Cabinet size requirement.



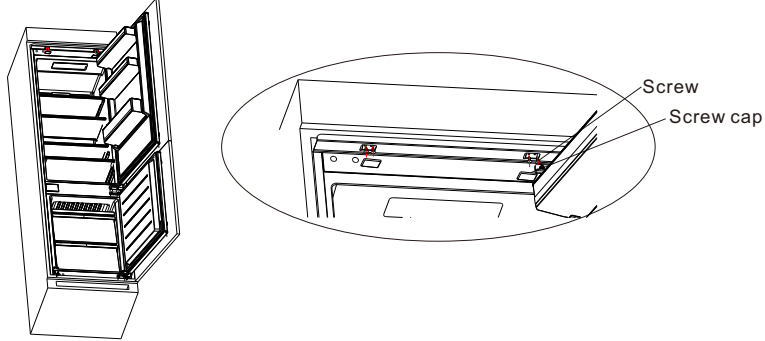
- Push the refrigerator into the cabinet and adjust it to make sure the edgefold of top baffle completely touch the top edge of the cabinet, and the limit hook of supporting leg completely touch the bottom edge of the cabinet.



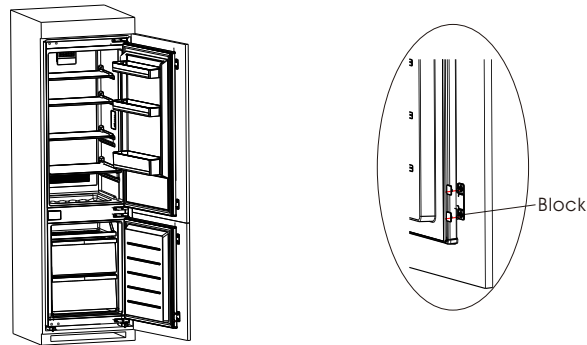
- Fix the supporting leg with screws, then install the screw caps.



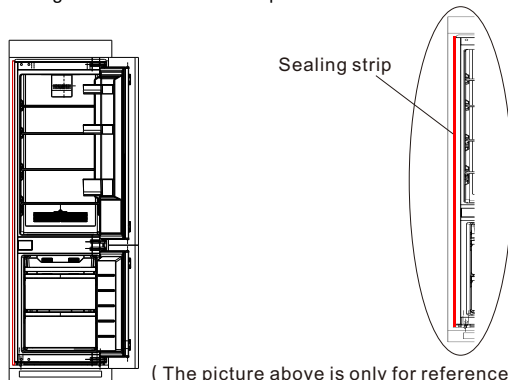
- Fix the top baffle to the top of the cabinet inner with screws, then install the screw caps.



- Open the lower door of cabinet the maximum angle, and open the lower door of the refrigerator to the corresponding position. Sliding the block to make sure inner edge align with the lower door edge of refrigerator, then fix the block to the door of cabinet with screw and install screw caps. Fix the upper refrigerator door to the cabinet door in the same way.



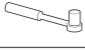



- Take out the sealing strip from accessory bag, and press it in the gap between the cabinet and the refrigerator. Installation is completed.

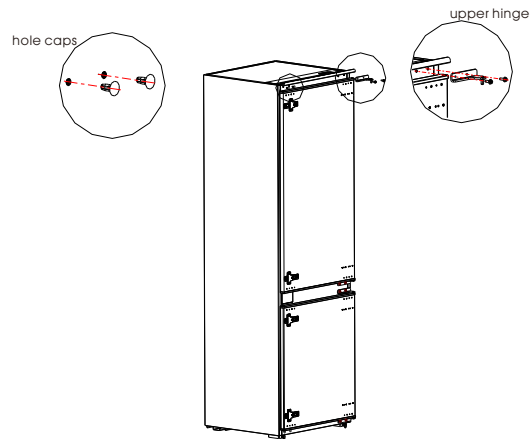


(The picture above is only for reference. The actual configuration will depend on the physical product or statement by the distributor)

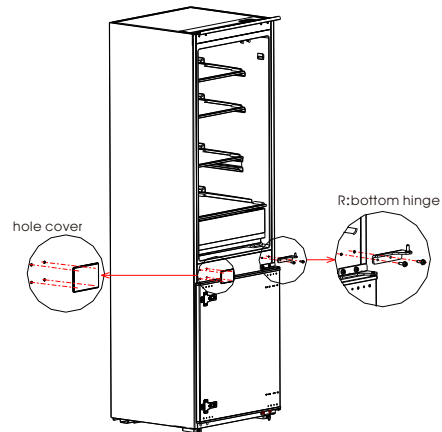
2.3 Door Right-Left Change

List of tools to be provided by the user			
	Cross screwdriver		Putty knife thin-blade screwdriver
	5/16" socket and ratchet		Masking tape

- 1) Power off the refrigerator, and remove all objects from the door trays.
- 2) Remove the upper hinge and hole caps of refrigerator door.

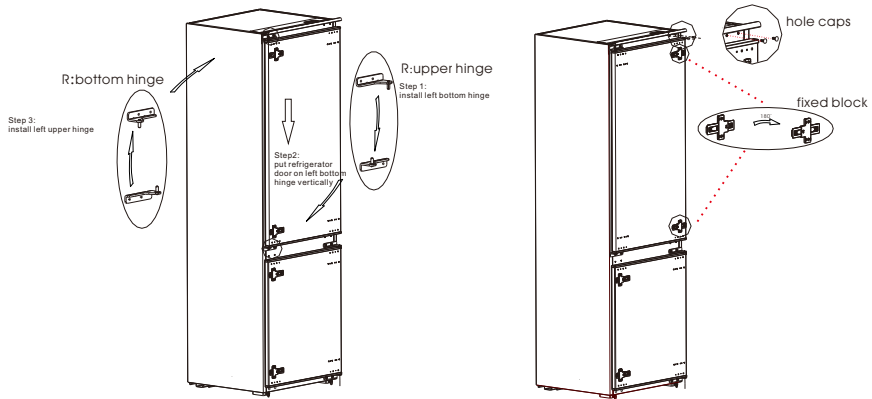


- 3) Remove the refrigerator door, the bottom hinge and the hole cover.

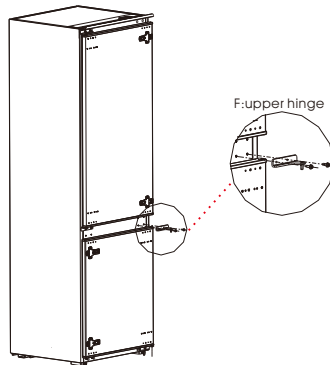


3) Exchange the R:bottom hinge and R:upper hinge ,then install them according to below steps, and install the top hole caps.

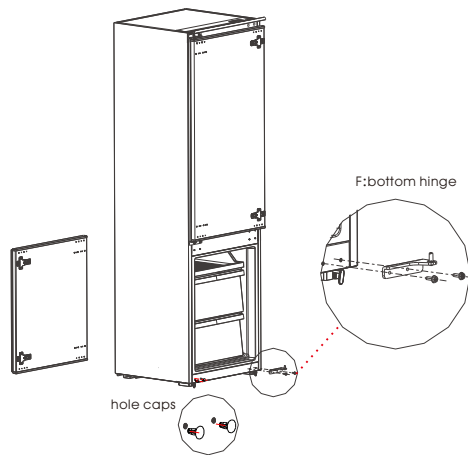
4) Remove the two fixed blocks of refrigerator door and rotate them for 180° , and install them on other side of refrigerator door.



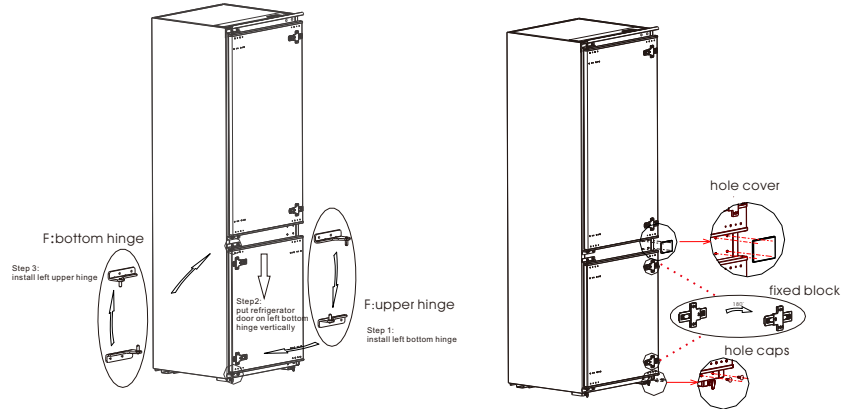
5) Remove the the upper hinge of freezer door.



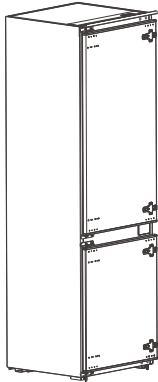
6) Remove the freezer door, the bottom hinge and the hole caps.



- 7) Exchange the F:bottom hinge and F:upper hinge ,then install them according to below steps, and install the top hole cover and lower hole caps.
- 8) Remove the two fixed blocks of freezer door and rotate them for 180° , and install them on other side of freezer door.



9). The picture after completion is shown as below

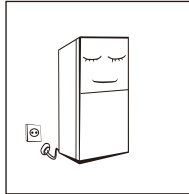


(The picture above is only for reference. The actual configuration will depend on the physical product or statement by the distributor)

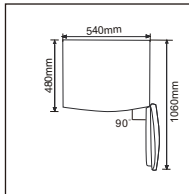
2.3 Changing the Light

Any replacement or maintenance of the LED lamps is intended to be made by the manufacturer, its service agent or similar qualified person.

2.4 Starting



- Before initial start, keep the refrigerator still for half an hour before connecting it to power supply.
- Before putting any fresh or frozen foods, the refrigerator shall have run for 2–3 hours, or for above 4 hours in summer when the ambient temperature is high.



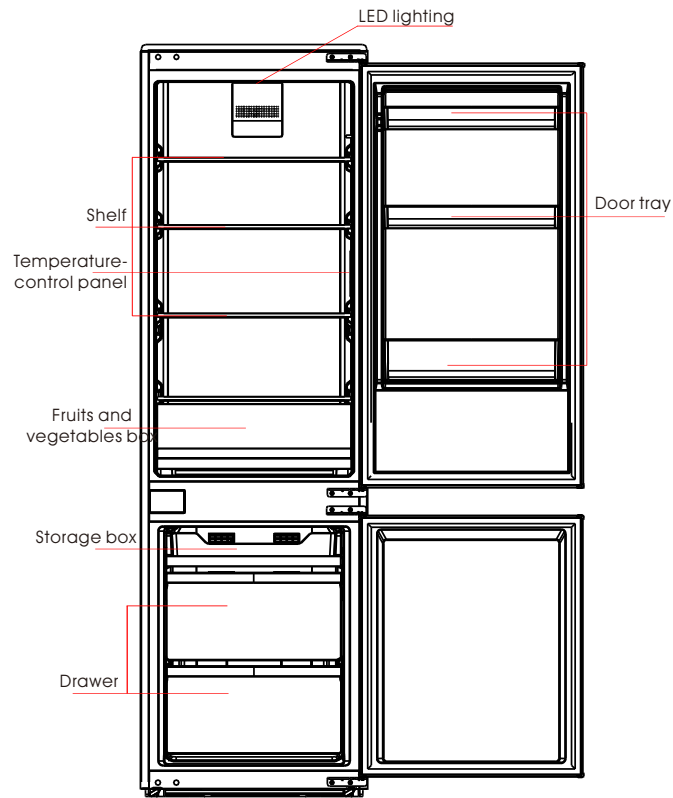
- Spare enough space for convenient opening of the doors and drawers or statement by the distributor.


2.5 Energy saving tips

- The appliance should be located in the coolest area of the room, away from heat producing appliances or heating ducts, and out of the direct sunlight.
- Let hot foods cool to room temperature before placing in the appliance. Overloading the appliance forces the compressor to run longer. Foods that freeze too slowly may lose quality, or spoil.
- Be sure to wrap foods properly, and wipe containers dry before placing them in the appliance. This cuts down on frost build-up inside the appliance.
- Appliance storage bin should not be lined with aluminum foil, wax paper, or paper toweling. Liners interfere with cold air circulation, making the appliance less efficient.
- Organize and label food to reduce door openings and extended searches. Remove as many items as needed at one time, and close the door as soon as possible.

3 Structure and functions

3.1 Key components



 (The picture above is only for reference. The actual configuration will depend on the physical product or statement by the distributor)

Refrigerating chamber

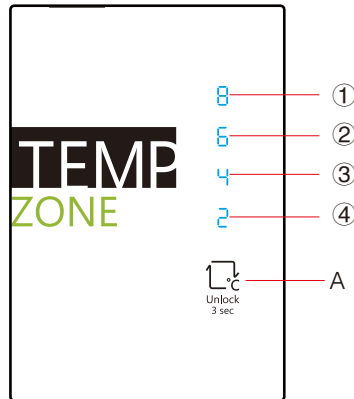
- The Refrigerating Chamber is suitable for storage of a variety of fruits, vegetables, beverages and other food consumed in the short term.
- Cooking foods shall not be put in the refrigerating chamber until cooled to room temperature.
- Foods are recommended to be sealed up before putting into the refrigerator.
- The glass shelves can be adjusted up or down for a reasonable amount of storage space and easy use.

Freezing chamber

- The low temperature freezing chamber may keep food fresh for a long time and it is mainly used to store frozen foods and making ice.
- The freezing chamber is suitable for storage of meat, fish, rice balls and other foods not to be consumed in short term.
- Chunks of meat are preferably to be divided into small pieces for easy access. Please be noted food shall be consumed within the shelf time.

Note: Storage of too much food during operation after the initial connection to power may adversely affect the freezing effect of the refrigerator. Foods stored shall not block the air outlet; or otherwise the freezing effect will also be adversely affected.

3.2 Functions



⚠ (The picture above is only for reference. The actual configuration will depend on the physical product or statement by the distributor)

1)Key

A. Temperature setting button of refrigerator compartment

2)Display screen

- ①setting 1: 8°C
- ②setting 2: 6°C
- ③setting 3: 4°C
- ④setting 4: 2°C

3)Display

Once initially powered on, the display screen is on full display for 3s. and then the refrigerator runs according to setting 3.

Normal operation display

In case of a failure, the corresponding LED blinks.

In case of no failures, it shows the actual temperature setting of refrigerator.

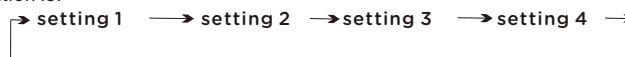
Fault Code	Fault Description
indicator setting 1	Refrigerator temperature sensor circuit
indicator setting 2	Refrigerator defrost sensor
indicator setting 3	Freezer defrost sensor
indicator setting 4	Ambient temperature sensor

4)temperature setting

Each time the temperature setting button A is pressed once, the temperature setting changes one time.

After the temperature setting has been completed, the refrigerator will run according to the set value after 15s.

The shift regulation is:



5)Lock/Unlock

When the temperature control panel is in lock state, it needs to long press temperature setting key for 3 seconds for unlocking the panel, all LEDs will blink for 2 second when panel is unlocked.

When the temperature control panel is in unlock state, if there is no operation on control panel within 15 seconds, it will enter into lock state automatically.

4. Maintenance and care of the refrigerator

4.1 Overall cleaning

- Dusts behind the refrigerator and on the ground shall be timely cleaned to improve the cooling effect and energy saving. The interior of the refrigerator should be cleaned regularly to avoid odor. Soft towels or sponge dipped in water and non-corrosive neutral detergents are suggested for cleaning. The freezer of shall be finally cleaned with clean water and dry cloth. Open the door for natural drying before the power is turned on.
- Do not use hard brushes, clean steel balls, wire brushes, abrasives, such as toothpastes, organic solvents (such as alcohol, acetone, banana oil, etc.), boiling water, acid or alkaline items clean refrigerator considering that this may damage the fridge surface and interior.
- Do not rinse with water so as not to affect the electrical insulation properties.



⚠ Please unplug the refrigerator for defrost and cleaning.

4.2 Defrosting

- The refrigerator is made based on the air-cooling principle and thus has automatic defrosting function. Frost formed due to change of season or temperature may also be manually removed by disconnection of the appliance from power supply or by wiping with a dry towel.

4.3 Out of operation

- Power failure: In case of power failure, even if it is in summer, foods inside the appliance can be kept for several hours; during the power failure, the times of door opening shall be reduced, and no more fresh food shall be put into the appliance.
- Long-time nonuse: The appliance shall be unplugged and then cleaned; then the doors are left open to prevent odor.
- Moving: Before the refrigerator is moved, take all objects inside out, fix the glass partitions, vegetable holder, freezing chamber drawers and etc. with tape, and tighten the leveling feet; close the doors and seal them with tape. During moving, the appliance shall not be laid upside down or horizontally, or be vibrated; the inclination during movement shall be no more than 45°.

⚠ The appliance shall run continuously once it is started. Generally, the operation of the appliance shall not be interrupted; or otherwise the service life may be impaired

5 Trouble shooting

5.1 You may try to solve the following simple problems by yourself.
If them cannot be solved, please contact the after-sales department.

Failed operation	<p>Check whether the appliance is connected to power or whether the plug is in well contact</p> <p>Check whether the voltage is too low</p> <p>Check whether there is a power failure or partial circuits have tripped</p>
Odor	<p>Odorous foods shall be tightly wrapped</p> <p>Check whether there is any rotten food</p> <p>Clean the inside of the refrigerator</p>
Long-time operation of the compressor	<p>Long operation of the refrigerator is normal in summer when the ambient temperature is high</p> <p>It is not suggestible having too much food in the appliance at the same time</p> <p>Food shall get cool before being put into the appliance</p> <p>The doors are opened too frequently</p>
Light fails to get lit	<p>Check whether the refrigerator is connected to power supply and whether the illuminating light is damaged</p> <p>Have the light replaced by a specialist</p>
Doors cannot be properly closed	<p>The door is stuck by food packages</p> <p>The refrigerator is tilted</p>
Loud noise	<p>Check whether the floor is level and whether the refrigerator is placed stably</p> <p>Check whether accessories are placed at proper locations</p>
Door seal fails to be tight	<p>Remove foreign matters on the door seal</p> <p>Heat the door seal and then cool it for restoration (or blow it with an electrical drier or use a hot towel for heating)</p>
Water pan overflows	<p>There is too much food in the chamber or food stored contains too much water, resulting in heavy defrosting</p> <p>The doors are not closed properly, resulting in frosting due to entry of air and increased water due to defrosting</p>
Hot housing	<p>Heat dissipation of the built-in condenser via the housing, which is normal. When housing becomes hot due to high ambient temperature and storage of too much food, it is recommended to provide sound ventilation to facilitate heat dissipation.</p>
Surface condensation	<p>Condensation on the exterior surface and door seals of the refrigerator is normal when the ambient humidity is too high. Just wipe the condensate with a clean towel.</p>
Abnormal noise	<p>Buzz: The compressor may produce buzzes during operation, and the buzzes are loud particularly upon start or stop. This is normal.</p> <p>Creak: Refrigerant flowing inside of the appliance may produce creak, which is normal.</p>

6 Parameters

6.1 Technical parameters

Model	MF-241BCD
Fresh Food Storage Compartment Volume	182 L
Frozen Food Storage Volume	59 L
Foaming Agent	Cyclopentane
Energy Consumption	0.778 kW.h/24h
Energy consumption 283.97 kWh per year , based on standard test results for 24 hours.	
Household Appliances Category	Pass
Energy Grading	A +
EU Ecolabel	Pass
Refrigerant	R600a
Climate Class	N/ST/T
This appliance is intended to be used at an ambient temperature between - 24°C and 8°C.	
Airborne Acoustical Noise	41 dB
Temperature Rise Time	11.7 h
Freezing Capacity	3.5 Kg/24h
Rated Voltage	220-240V
Rated Current	0.8 A
Dimension (W x D x H)	540 x 545 x 1770
Total Gross Volume (L)	266 L
Total Storage Volume (L)	241 L
Net Weight(kg)	56.5 kg

Table 1 Climate classes

Class	Symbol	Ambient temperature range °C
Extended temperate	SN	+ 10 to + 32
Temperate	N	+ 16 to + 32
Subtropical	ST	+ 16 to + 38
Tropical	T	+ 16 to + 43

MỤC LỤC

1 Cảnh báo an toàn	
1.1 Cảnh báo	19
1.2 Ý nghĩa của biểu tượng cảnh báo an toàn	20
1.3 Cảnh báo về điện	20
1.4 Cảnh báo sử dụng	21
1.5 Cảnh báo vị trí lắp đặt	21-22
1.6 Cảnh báo về năng lượng	22
1.7 Cảnh báo xử lý	22
2 Sử dụng tủ lạnh đúng cách	
2.1 Vị trí lắp đặt	23
2.2 Lắp đặt âm tủ	24-25
2.3 Thay đổi cửa trái - phải	26-27-28
2.4 Thay thế đèn chiếu sáng	29
2.5 Bắt đầu sử dụng	29
2.6 Mẹo tiết kiệm năng lượng	29
3 Cấu trúc và chức năng	
3.1 Bộ phận chính	30
3.2 Chức năng	31
4 Bảo trì và bảo dưỡng cho tủ lạnh	
4.1 Vệ sinh bên ngoài	32
4.2 Rửa đông	32
4.3 Không sử dụng	32
5 Xử lý sự cố	
5.1 Xử lý sự cố	33
6 Thông số	
6.1 Thông số kỹ thuật	34-35

1 Cảnh báo an toàn

1.1 Cảnh báo



Cảnh báo: nguy cơ hỏa hoạn, vật liệu dễ cháy

KHUYẾN NGHỊ:

Thiết bị này được thiết kế để sử dụng trong gia đình và các khu vực tương tự như: khu vực bếp của nhân viên, văn phòng và các môi trường làm việc khác; nông trại và khách sạn, nhà nghỉ và các kiểu dân cư khác, phòng ngủ, phòng ăn

Theo tiêu chuẩn Châu Âu: Thiết bị này được sử dụng bởi trẻ trên 8 tuổi hoặc những người giảm khả năng về cảm giác, thể chất và tinh thần hoặc thiếu kinh nghiệm và kiến thức nếu họ được giám sát hoặc hướng dẫn sử dụng thiết bị một cách an toàn, hiểu được các mối nguy hiểm liên quan. Trẻ em không được chơi với thiết bị. Việc vệ sinh và bảo trì không được thực hiện bởi trẻ em.

Theo tiêu chuẩn an toàn điện: Thiết bị này không được sử dụng bởi những người (bao gồm trẻ em) bị giảm khả năng về thể chất, tinh thần hoặc thiếu kinh nghiệm và kiến thức, trừ khi họ được giám sát hoặc hướng dẫn sử dụng bởi một người chịu trách nhiệm về sự an toàn của họ

Trẻ em cần được giám sát để đảm bảo rằng chúng không được chơi với thiết bị.

Nếu dây nguồn bị hỏng, nó phải được thay thế bởi nhân viên kỹ thuật hoặc những người có trình độ tương tự để tránh nguy hiểm.

Không lưu trữ các bình xịt dễ gây cháy nổ bên trong thiết bị.

Thiết bị phải được rút phích cắm khi không sử dụng và trước khi thực hiện việc bảo trì.

CẢNH BÁO: Nguy cơ hỏa hoạn/vật liệu dễ cháy.

CẢNH BÁO: Giữ các lỗ thông gió, mô hình độc lập hoặc âm tủ, tránh vật cản.

CẢNH BÁO: Không sử dụng các thiết bị cơ học, hoặc các thiết bị khác để thúc đẩy quá trình rà đông, trừ các thiết bị được nhà sản xuất khuyến nghị.

CẢNH BÁO: Không làm hỏng mạch làm lạnh.

CẢNH BÁO: Không sử dụng các thiết bị điện bên trong ngăn lưu trữ thực phẩm của thiết bị, trừ các thiết bị được nhà sản xuất khuyến nghị.

CẢNH BÁO: Vui lòng bỏ tủ lạnh theo quản lý địa phương để xử lý đúng khí nén và chất làm lạnh để gây cháy.

Không sử dụng dây kéo dài hoặc nối tiếp (2 chấu) bộ điều hợp.

NGUY HIỂM: Nguy hiểm cho trẻ em. Trước khi bạn vứt bỏ tủ lạnh:

–Tháo cánh cửa.




–Đề các kệ ở vị trí trẻ em không vào được bên trong.

Tủ lạnh phải được ngắt khỏi nguồn điện trước khi lắp đặt phụ kiện.

Chất làm lạnh và chất tạo bọt sử dụng cho tủ lạnh là chất dễ gây cháy.

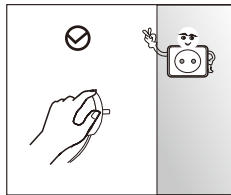
Do đó, khi tháo rời để vứt bỏ tủ lạnh, nó nên được tránh xa nguồn lửa và được thu hồi bởi một công ty thu hồi đặc biệt và phải được xử lý bằng cách đốt để không làm ảnh hưởng đến môi trường hoặc bất kỳ tác hại nào khác.

1.2 Ý nghĩa của các biểu tượng cảnh báo an toàn

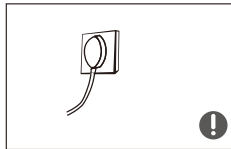
 Biểu tượng cấm	Đây là biểu tượng cấm. Bất kỳ sự không tuân thủ các hướng dẫn được đánh dấu bằng biểu tượng này đều có thể gây ra thiệt hại về sản phẩm hoặc nguy hiểm cho sự an toàn của người dùng.
 Biểu tượng cảnh báo	Đây là biểu tượng cảnh báo. Được yêu cầu để tuân thủ nghiêm ngặt các hướng dẫn được đánh dấu bằng biểu tượng này; có thể gây thiệt hại cho sản phẩm hoặc thương tích cá nhân cho người dùng.
 Biểu tượng thận trọng	Đây là biểu tượng thận trọng. Hướng dẫn được đánh dấu bằng biểu tượng này đòi hỏi sự thận trọng đặc biệt, nếu không có thể gây thương tích nhẹ hoặc trung bình, hoặc có thể ảnh hưởng đến sản phẩm.

Hướng dẫn này chứa nhiều thông tin an toàn quan trọng mà người dùng cần lưu ý.

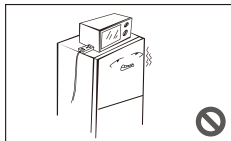
1.3 Cảnh báo về điện



- Không nắm dây điện khi rút phích cắm điện của tủ lạnh. Hãy nắm phích cắm và rút ra khỏi ổ điện.
- Để đảm bảo sử dụng an toàn, không làm hỏng dây nguồn hoặc sử dụng dây nguồn khi nó bị hỏng hoặc đã mòn dây.

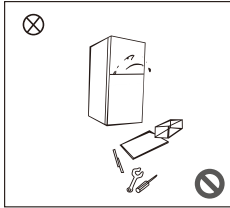


- Vui lòng sử dụng ổ cắm điện chuyên dụng và ổ cắm điện không được sử dụng chung với các thiết bị khác. Phích cắm điện phải được kết nối chắc chắn với ổ cắm nếu không có thể gây ra hỏa hoạn.
- Đảm bảo rằng thiết bị được nối đất một cách an toàn.

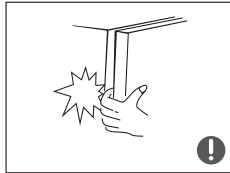


- Không sử dụng các thiết bị điện phía trên tủ lạnh, trừ khi chúng là loại nhà sản xuất khuyến nghị.

1.4 Cảnh báo sử dụng



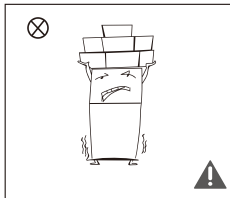
- Không được tự ý tháo rời hoặc thay đổi cấu trúc của tủ lạnh, cũng không được làm hỏng mạch làm lạnh; bảo trì thiết bị phải được thực hiện bởi nhân viên kỹ thuật.
- Dây nguồn bị hỏng phải được thay thế bởi nhân viên kỹ thuật, bộ phận bảo trì hoặc những người có kiến thức tương tự để tránh gây nguy hiểm.



- Khoảng cách giữa cửa tủ lạnh, cửa âm tủ và thân tủ lạnh là nhỏ, lưu ý không đặt ngón tay vào những khu vực này để tránh kẹt ngón tay. Hãy đóng cửa tủ lạnh nhẹ nhàng để tránh rơi rớt vật dụng.
- Không lấy thực phẩm trong vật chứa bằng tay ướt khi tủ lạnh đang hoạt động, đặc biệt là vật chứa bằng kim loại để tránh bị tê cóng.

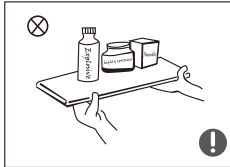


- Không để trẻ em vào trong hoặc leo trèo lên tủ lạnh; mặt khác có thể gây ngạt thở hoặc thương tích cho trẻ.

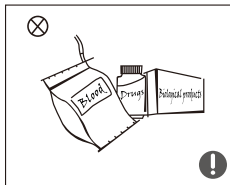


- Không đặt các vật nặng lên trên tủ lạnh, vì các vật này có thể bị rơi khi đóng, mở cửa tủ lạnh và có thể gây thương tích cho người dùng.
- Vui lòng rút phích cắm trong trường hợp mất điện hoặc vệ sinh, không kết nối tủ đông với nguồn điện trong vòng 5 phút để tránh thiệt hại cho máy nén do khởi động liên tiếp.

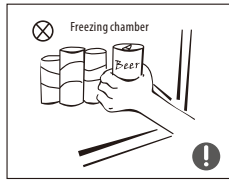
1.5 Cảnh báo về vị trí lắp đặt



- Không để các vật dễ cháy nổ, dễ bay hơi và có tính ăn mòn cao trong tủ lạnh để tránh làm hỏng thiết bị hoặc gây cháy nổ.
- Không đặt các vật dễ cháy gần tủ lạnh vì chúng có thể gây hỏa hoạn.



- Tủ lạnh được thiết kế sử dụng trong gia đình; chẳng hạn như lưu trữ thực phẩm; nó không được sử dụng cho các mục đích khác, chẳng hạn như lưu trữ máu, thuốc hoặc các chế phẩm sinh học, v.v...



- Không lưu trữ bia, đồ uống hoặc chất lỏng khác trong chai hoặc hộp kín trong ngăn đông của tủ lạnh, điều này có thể làm chai hoặc hộp bị nứt do đóng băng và gây ra thiệt hại.

1.6 Cảnh báo về năng lượng

- 1) Các thiết bị làm lạnh có thể không ổn định (khả năng rã đông hoặc nhiệt độ trở nên quá ẩm trong ngăn đông) khi được đặt trong thời gian dài dưới mức độ lạnh của nhiệt độ mà tủ lạnh được thiết kế.
- 2) Trên thực tế đồ uống sử dụng bột không nên được lưu trữ trong ngăn đông hoặc những ngăn có nhiệt độ thấp và những thực phẩm lỏng không nên dùng khi quá lạnh.
- 3) Không cần vượt quá thời gian bảo quản được đề xuất bởi các nhà sản xuất thực phẩm và đặc biệt đối với thực phẩm đông lạnh nhanh trong tủ đông hoặc tủ bảo quản thực phẩm đông lạnh.
- 4) Các biện pháp phòng tránh cần thiết để ngăn chặn sự gia tăng quá mức nhiệt độ của thực phẩm đông lạnh trong khi rã đông tủ lạnh, chẳng hạn như bọc thực phẩm trong nhiều lớp giấy báo.
- 5) Việc tăng nhiệt độ của thực phẩm đông lạnh trong quá trình rã đông thủ công, bảo trì hoặc vệ sinh có thể rút ngắn thời gian bảo quản.
- 6) Điều cần thiết là cửa và các nắp đậy có khóa và chia khóa để xa tầm tay của trẻ em để tránh chúng bị khóa bên trong.

1.7 Cảnh báo xử lý

Chất làm lạnh và chất cyclopentane được sử dụng cho tủ lạnh là chất dễ cháy. Do đó khi vứt bỏ tủ lạnh, nó phải được tránh xa nguồn lửa và được thu hồi bởi một đơn vị thu hồi đặc biệt để xử lý bằng cách đốt để tránh làm ảnh hưởng đến môi trường hoặc bất kỳ tác hại nào khác.

Khi vứt bỏ tủ lạnh, hãy tháo rời các cánh cửa, đặt cửa và kệ ở một nơi an toàn để tránh trẻ em tiếp xúc với chúng.

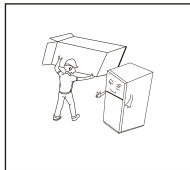


Xử lý đúng cách sản phẩm này:

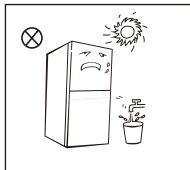
Biểu tượng này cho thấy sản phẩm này không được vứt bỏ như rác thải sinh hoạt bình thường. Để ngăn chặn tác hại có thể xảy ra đối với môi trường và sức khỏe con người về việc xử lý rác thải, hãy xử lý nó một cách có trách nhiệm để thúc đẩy tái sử dụng nguyên liệu.

2 Sử dụng tủ lạnh đúng cách

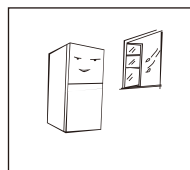
2.1 Vị trí



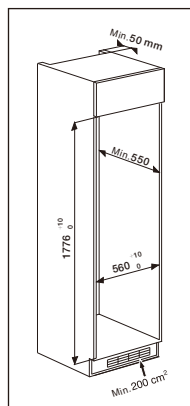
- Trước khi sử dụng, loại bỏ tất cả vật liệu bao gói, bao gồm mút xốp và các dải băng bên trong tủ lạnh; tháo lớp màng trên cửa và thân tủ lạnh.



- Tránh xa nguồn nhiệt và ánh nắng trực tiếp. Không đặt tủ ở những nơi ẩm ướt hoặc nhiều nước để tránh gỉ sét hoặc giảm hiệu quả cách điện.
- Không xịt hoặc rửa tủ lạnh, không để tủ lạnh ở nơi ẩm ướt để không ảnh hưởng đến việc cách điện của tủ lạnh.



- Tủ lạnh được đặt ở nơi thông thoáng trong nhà; mặt đất phải bằng phẳng và chắc chắn.



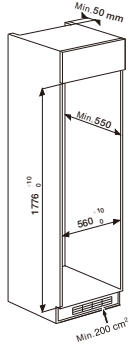
- Kích thước bên ngoài khoang âm, vui lòng tham khảo như hình bên trái.

⚠ Thận trọng trước khi cài đặt:

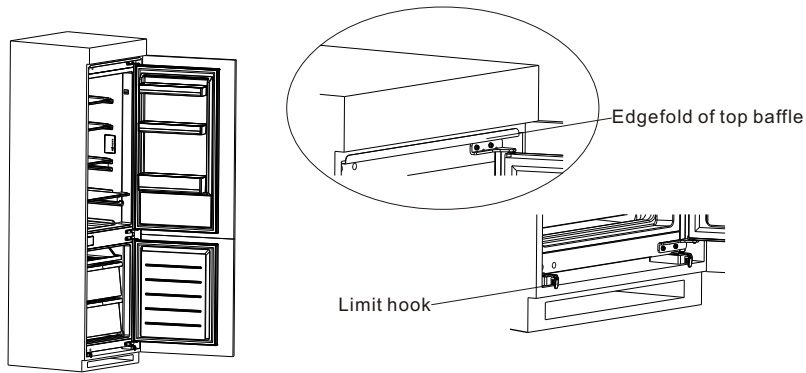
Thông tin trong hướng dẫn sử dụng chỉ mang tính chất tham khảo. Các sản phẩm vật lý có thể khác nhau. Trước khi lắp đặt và kết nối các phụ kiện, đảm bảo tủ lạnh được ngắt kết nối với nguồn điện.

2.2 Lắp đặt âm

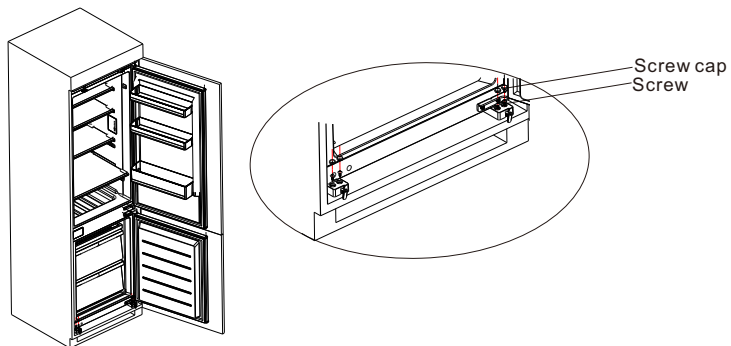
- Kích thước khoang âm yêu cầu



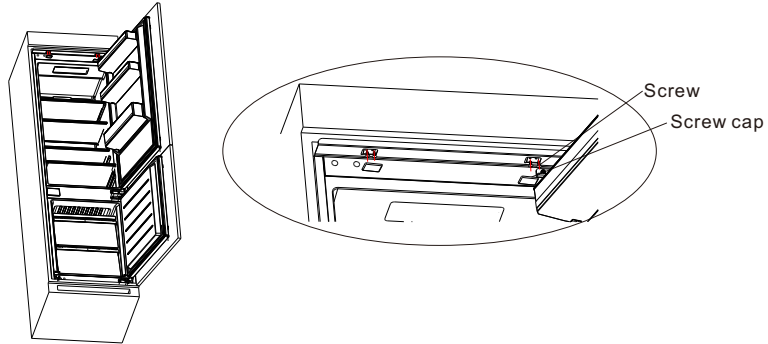
- Đẩy tủ lạnh vào khoang âm và điều chỉnh để đảm bảo phần trên của tủ chạm vào vách ngăn phía trên của khoang âm, và móc của chân đỡ chạm hoàn toàn vào cạnh dưới của tủ.



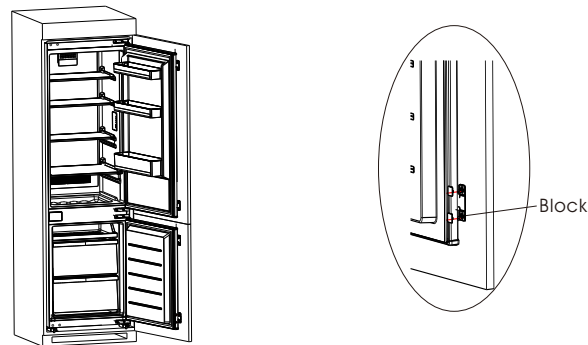
- Cố định chân đỡ bằng vít, sau đó lắp nắp vít vào.



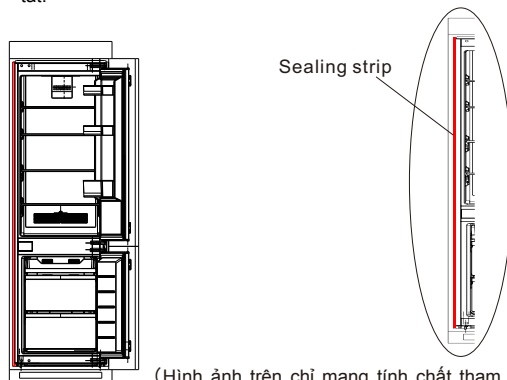
- Cố định vách ngăn trên cùng vào phía trên của tủ bằng vít, sau đó lắp nắp vít vào.



- Mở góc tủ phía dưới tối đa, và mở cửa tủ lạnh đến vị trí tương ứng. Trượt khóa để đảm bảo cạnh trong thẳng hàng với cạnh dưới của tủ lạnh, sau đó cố định cửa vào khoang âm, rồi lắp nắp vít vào. Cố định cửa phía trên của tủ lạnh vào khoang âm bằng cách tương tự.

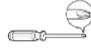





- Thao dải niêm phong từ túi phụ kiện và nhấn nó vào khoảng trống ở giữa tủ và tủ lạnh. Lắp đặt hoàn tất.

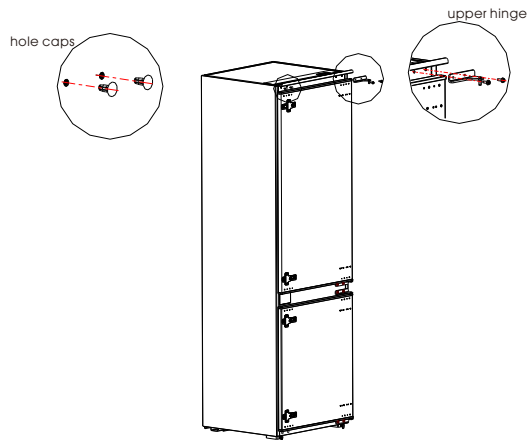


(Hình ảnh trên chỉ mang tính chất tham khảo. Cấu hình thực tế có thể thay đổi theo cấu trúc vật lý của sản phẩm hoặc công bố của nhà sản xuất)

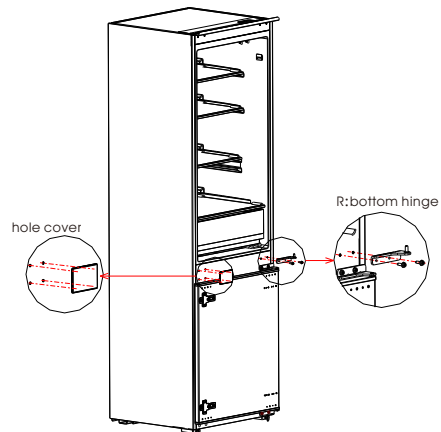
2.3 Thay đổi cửa trái - phải

Danh sách các công cụ được cung cấp bởi người dùng			
	Tua vít		Putty knife thin-blade screwdriver
	5/16" socket and ratchet		Masking tape

- 1) Tắt nguồn tủ lạnh và lấy tất cả đồ đạc ra khỏi khay cửa.
- 2) Tháo bản lề phía trên và nắp chụp của cửa tủ lạnh.

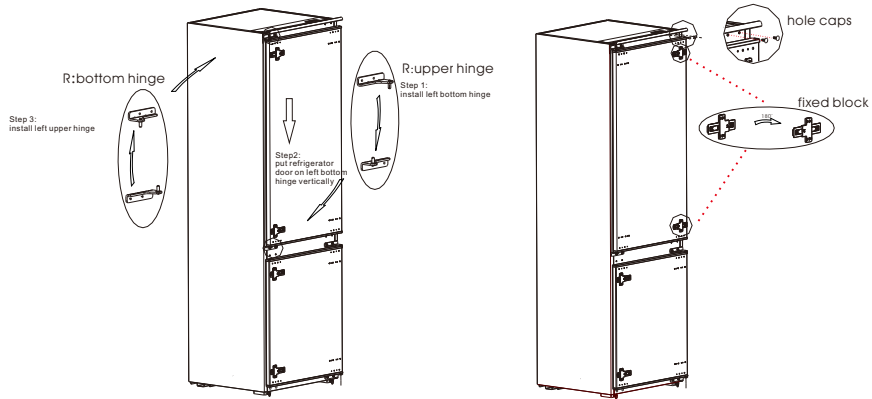


- 3) Tháo cửa tủ lạnh, bản lề dưới và nắp chụp.

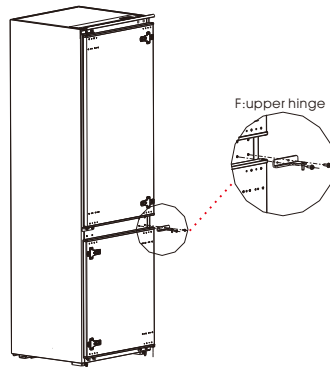


3) Thay đổi R: bản lề dưới và R: bản lề trên sau đó lắp đặt theo các bước bên dưới và lắp đặt nắp chụp trên.

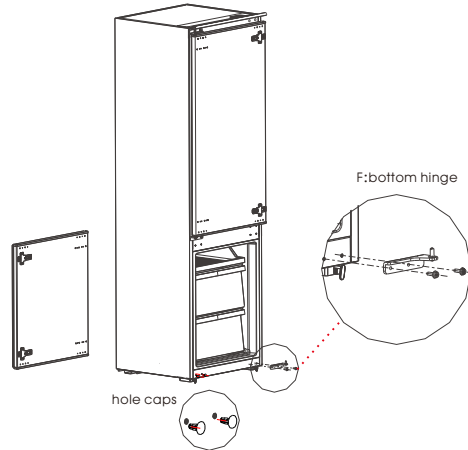
4) Tháo hai bộ ray trượt và xoay chúng 180° và lắp đặt ở phía bên kia của tủ lạnh.



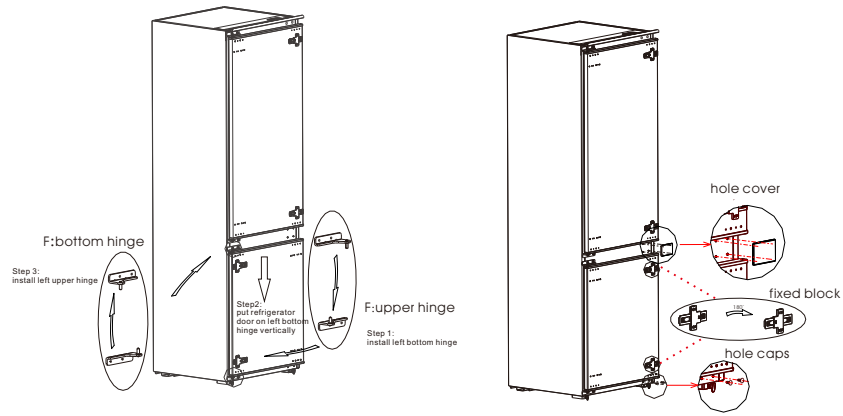
5) Tháo bản lề trên của cửa tủ lạnh ngăn đông.



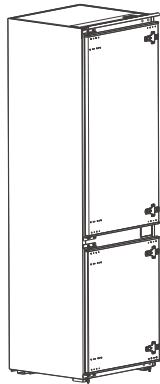
6) Tháo cửa tủ ngăn đông, bản lề dưới và nắp chụp.



- 7) Thay đổi F: bản lề trên và F: bản lề dưới sau đó lắp đặt theo các bước bên dưới và lắp đặt nắp chụp trên và dưới.
- 8) Tháo hai bộ ray trượt và xoay chúng 180° và lắp đặt theo chiều ngược lại của cửa tủ lạnh ngăn đông.



- 9) Sau khi hoàn thành được thể hiện giống hình ảnh bên dưới.

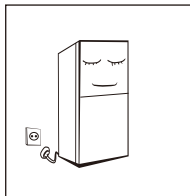


(Hình ảnh trên chỉ mang tính chất tham khảo, cấu hình thực tế sẽ phụ thuộc vào cấu tạo vật lý hoặc công bố của nhà sản xuất.)

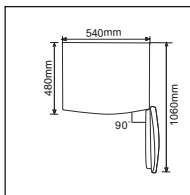
2.4 Thay thế đèn

Bất kỳ sự thay thế đèn LED nào cũng phải được thực hiện bởi nhân viên kỹ thuật hoặc những người có trình độ tương tự.

2.5 Bắt đầu sử dụng



- Trước khi bắt đầu sử dụng, giữ tủ lạnh trong khoảng nửa giờ đồng hồ trước khi kết nối với nguồn điện.
- Trước khi đặt bất kỳ thực phẩm tươi hoặc đông lạnh nào vào tủ lạnh, phải để tủ chạy trong vòng 2-3 giờ hoặc trên 4 giờ khi chạy vào mùa hè ở nhiệt độ cao.



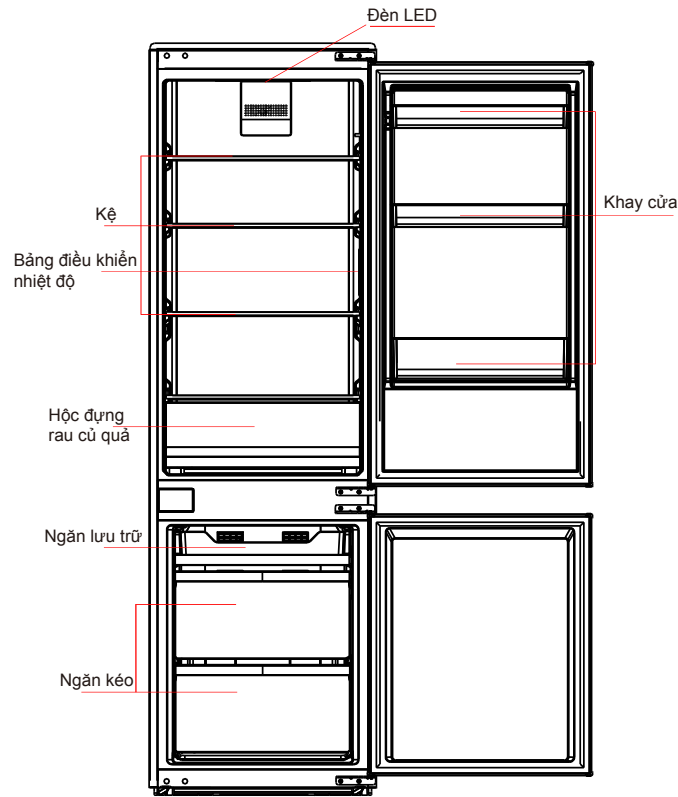
- Không gian đủ rộng để thuận tiện mở cửa và ngăn kéo tủ theo công bố của nhà sản xuất.

2.6 Mẹo tiết kiệm năng lượng

- Thiết bị nên được đặt ở vị trí thoáng mát, tránh xa nguồn nhiệt và ánh sáng mặt trời trực tiếp.
- Đồ thức ăn nóng nguội đến nhiệt độ phòng trước khi đưa vào tủ lạnh. Thiết bị quá tải sẽ dẫn đến máy nên phải chạy lâu hơn. Thực phẩm không được làm lạnh trong thời gian ngắn sẽ bị giảm chất lượng hoặc dễ bị hỏng.
- Đảm bảo bọc thực phẩm đúng cách và lau khô vật chứa trước khi đặt vào tủ lạnh. Điều này giảm sự tích tụ băng bên trong tủ lạnh.
- Thùng chứa lưu trữ đặt trong thiết bị không nên được lót bằng giấy nhôm, giấy sáp hoặc khăn giấy. Các lớp lót này sẽ làm cản nhiệt ảnh hưởng đến quá trình làm lạnh của thiết bị.
- Dán nhãn cho mỗi loại thực phẩm để dễ dàng tìm kiếm. Quá trình lấy thực phẩm ra khỏi tủ lạnh và đóng cửa càng nhanh càng tốt.

3 Cấu trúc và chức năng

3.1 Các bộ phận chính



⚠ (Hình ảnh trên chỉ mang tính chất tham khảo, cấu hình thực tế phụ thuộc vào cấu tạo vật lý của sản phẩm hoặc công bố của nhà sản xuất.)

Khoang lạnh

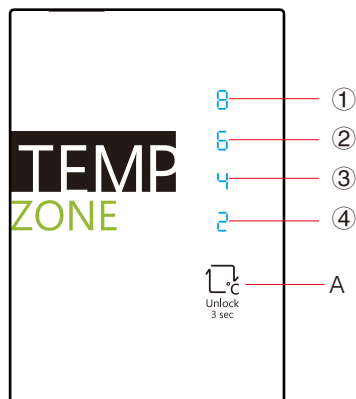
- Khoang lạnh thích hợp để lưu trữ nhiều loại trái cây, rau củ quả và những thực phẩm tiêu thụ trong thời gian ngắn.
- Thực phẩm nóng không được đặt trong khoang lạnh cho đến khi đạt đến nhiệt độ phòng.
- Thực phẩm nên được bọc lại trước khi đặt vào tủ lạnh.
- Các kệ kính có thể điều chỉnh lên hoặc xuống cho một không gian lưu trữ và dễ sử dụng.

Khoang đông

- Nhiệt độ thấp trong khoang đông có thể giữ cho thực phẩm tươi trong một thời gian dài và nó chủ yếu được sử dụng để lưu trữ thực phẩm đông lạnh hoặc làm đá.
- Khoang đông thích hợp để lưu trữ thịt, cá, cơm nắm và các thực phẩm khác không được tiêu thụ trong thời gian ngắn.
- Thịt tốt nhất là nên chia thành các miếng nhỏ sẽ dễ dàng sử dụng hơn. Hãy lưu ý tiêu thụ sản phẩm trong thời hạn sử dụng được.

Lưu ý: Lưu trữ quá nhiều thực phẩm trong quá trình hoạt động sau khi kết nối lần đầu tiên với nguồn điện có thể làm ảnh hưởng đến hiệu quả làm lạnh của tủ lạnh. Thực phẩm lưu trữ không được chặn cửa thoát khí nếu không sẽ làm ảnh hưởng đến hiệu quả làm lạnh.

3.2 Chức năng



! (Hình ảnh trên chỉ mang tính chất tham khảo, cấu hình thực tế phụ thuộc vào cấu tạo vật lý của sản phẩm hoặc công bố của nhà sản xuất.)

1) Khóa

A. Phím cài đặt nhiệt độ của ngăn tủ lạnh

2) Màn hình hiển thị

① cài đặt 1: 8°C

② cài đặt 2: 6°C

③ cài đặt 3: 4°C

④ cài đặt 4: 2°C

3) Màn hình

Khi bắt đầu mở nguồn, màn hình sẽ hiển thị đầy đủ trong vòng 3 giây, sau đó tủ lạnh sẽ vận hành theo cài đặt 3.

Hiện thị hoạt động bình thường.

Trong trường hợp hợp lỗi, đèn LED sẽ nhấp nháy.

Trong trường hợp không có lỗi, màn hình sẽ hiển thị nhiệt độ thực tế của tủ lạnh.

Mã lỗi	Mô tả lỗi
chỉ báo cài đặt 1	Mạch cảm biến nhiệt độ tủ lạnh
chỉ báo cài đặt 2	Cảm biến rà đông tủ lạnh
chỉ báo cài đặt 3	Cảm biến rà đông
chỉ báo cài đặt 4	Cảm biến nhiệt độ môi trường

4) Cài đặt nhiệt độ

Mỗi khi nhấn phím cài đặt A một lần, nhiệt độ sẽ thay đổi một lần.

Sau khi cài đặt nhiệt độ hoàn tất, tủ lạnh sẽ vận hành theo giá trị cài đặt sau 15s. Quy định thay đổi là:



5) Khóa/Mở khóa

Khi bảng điều khiển nhiệt độ trong trạng thái khóa, nó cần được nhấn phím cài đặt nhiệt độ trong khoảng 3 giây để mở khóa bảng điều khiển, tất cả đèn LED sẽ nhấp nháy trong 2 giây khi bảng điều khiển được mở khóa.

Khi bảng điều khiển ở trạng thái mở khóa, nếu không có thao tác nào trên bảng điều khiển trong 15 giây, nó sẽ tự động chuyển sang trạng thái khóa.

4. Bảo trì vào bảo dưỡng cho tủ lạnh

4.1 Vệ sinh bên ngoài

- Bụi ở phía sau tủ lạnh và trên mặt đất nên được làm sạch kịp thời để cải thiện hiệu suất làm lạnh và tiết kiệm năng lượng. Nội thất bên trong tủ lạnh nên được làm sạch thường xuyên để tránh tạo mùi. Sử dụng khăn mềm hoặc bọt biển ẩm cùng với chất tẩy rửa trung tính không gây ăn mòn để làm sạch. Cuối cùng làm sạch bằng nước và vải khô. Mở cửa tủ lạnh để khô tự nhiên trước khi mở lại nguồn cấp điện.
- Không sử dụng bàn chải cứng, các vật dụng tẩy rửa bằng kim loại, các chất mài mòn như kem đánh răng, dung môi hữu cơ (như cồn, axeton, dầu chuối, v.v...), nước sôi, axit hoặc kiềm để làm sạch tủ lạnh vì điều này có thể làm hỏng bề mặt tủ lạnh và nội thất bên trong.
- Không rửa lại với nước để không ảnh hưởng đến tính cách nhiệt.



⚠ Vui lòng rút phích cắm của tủ lạnh để ră đông và làm sạch.

4.2 Ră đông

- Tủ lạnh được chế tạo dựa trên nguyên tắc làm mát không khí và do có chức năng ră đông tự động.

4.3 Không sử dụng

- Mất điện: Trong trường hợp mất điện, ngay cả khi đang trong mùa hè, thực phẩm bên trong thiết bị có thể được giữ trong vài giờ; trong thời gian mất điện nên hạn chế mở cửa tủ lạnh và không đưa thêm thực phẩm tươi vào trong tủ lạnh.
- Không sử dụng trong thời gian dài: Rút phích cắm và làm sạch tủ lạnh, sau đó mở cửa để ngăn tủ lạnh không ám mùi.
- Di chuyển: Trước khi tủ lạnh được di chuyển, lấy tất cả các vật thể từ trong ra ngoài, cố định các vách ngăn bằng kính, giá đựng rau, ngăn đông, v.v... bằng băng dính, siết chặt chân cân bằng và dán chúng bằng băng keo. Trong quá trình di chuyển, thiết bị không được đặt lộn ngược hoặc nằm ngang hoặc bị rung lắc; độ nghiêng trong quá trình di chuyển không quá 45°.

⚠ Thiết bị sẽ vận hành liên tục sau khi nó được khởi động. Nói chung, hoạt động của thiết bị sẽ không bị gián đoạn; hoặc nếu không tuổi thọ của thiết bị có thể bị suy giảm.

6 Các thông số

6.1 Thông số kỹ thuật

Mã số	MF-241BCD
Dung tích ngăn chứa thực phẩm tươi	182 L
Dung tích ngăn đông lạnh	59 L
Xốp cách nhiệt	Cyclopentane
Năng lượng tiêu thụ	0.778 kW.h/24h
Tiêu thụ năng lượng 283.97 kWh mỗi năm , dựa trên kết quả kiểm tra tiêu chuẩn trong 24 giờ.	
Thiết bị gia dụng	Đạt
Phân loại năng lượng	A +
Nhãn sinh thái EU	Đạt
Chất làm lạnh	R600a
Lớp khí hậu	N/ST/T
Thiết bị này dự định sẽ được sử dụng ở nhiệt độ môi trường giữa -24°C và 8°C.	
Độ ồn	41 dB
Thời gian ổn định nhiệt độ	11.7 h
Thể khối đông lạnh	3.5 Kg/24h
Điện áp định mức	220-240V
Dòng điện định mức	0.8 A
Kích thước (W x D x H)	540 x 545 x 1770
Tổng dung tích (L)	266 L
Tổng dung tích lưu trữ (L)	241 L
Khối lượng tịnh (kg)	56.5 kg

Bảng 1 Lớp khí hậu

Lớp	Biểu tượng	Nhiệt độ môi trường °C
Nhiệt đới mở rộng	SN	+ 10 to + 32
Nhiệt đới	N	+ 16 to + 32
Cận nhiệt đới	ST	+ 16 to + 38
Ôn đới	T	+ 16 to + 43

MALLOCA VIETNAM COMPANY LIMITED

Showroom:

279 Nguyen Van Troi Street, Ward 10, Phu Nhuan District, HCM City
Tel: (84) 28 39975 893 / 94
Fax: (84) 28 38447 102
Email: info@malloca.com

Customer Care:

Hotline: 1800 12 12
Email: chamsockh@malloca.com

CÔNG TY TNHH MALLOCA VIỆT NAM

Showroom:

279 Đường Nguyễn Văn Trỗi, Phường 10, Quận Phú Nhuận, TP.HCM
Điện Thoại: (84) 28 39975 893 / 94
Fax: (84) 28 38447 102
Email: info@malloca.com

Hệ thống chăm sóc khách hàng:

Hotline: 1800 12 12
Email: chamsockh@malloca.com

Trung tâm chính

279 Đường Nguyễn Văn Trỗi, Phường 10, Quận Phú Nhuận, TP.HCM
SĐT: (028) 39975 893 / 94 – (028) 39975 294 / 95

Khu vực Bà Rịa Vũng Tàu

258-260A Lê Hồng Phong, Phường 4, TP. Vũng Tàu
SĐT: (0254) 385 94 99

Khu vực Tây Nguyên

331 Phan Đình Phùng, Phường 2, TP. Đà Lạt
SĐT: (0263) 3521 107 – 0918226362

Khu vực Nam Trung Bộ

08 Lê Hồng Phong, Phường Phước Hải, TP. Nha Trang
SĐT: (0258) 3875 488

Khu vực Miền Tây

180 Trần Hưng Đạo, Phường An Nghiệp, Quận Ninh Kiều, TP. Cần Thơ
SĐT: (0292) 373 2035

Khu vực Miền Trung

211 Nguyễn Văn Linh, Phường Vĩnh Trung, Quận Thanh Khê, TP. Đà Nẵng
SĐT: (0236) 369 1906

Khu vực Miền Bắc

10 Chương Dương Độ, Phường Chương Dương, Quận Hoàn Kiếm, Hà Nội
SĐT: (024) 35376 288 – 093 462 92 98